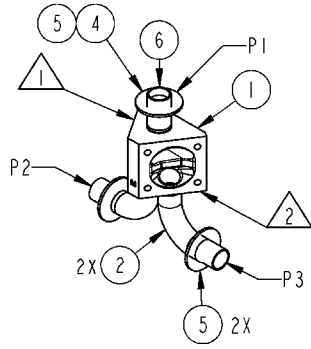
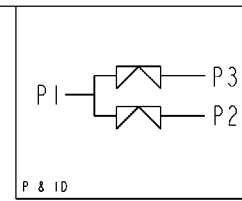


TAG NUMBERS		
VALVE ASSY	FIRST VALVE	SECOND VALVE
1		

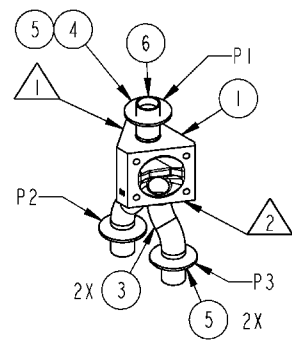
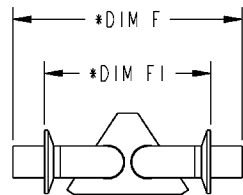
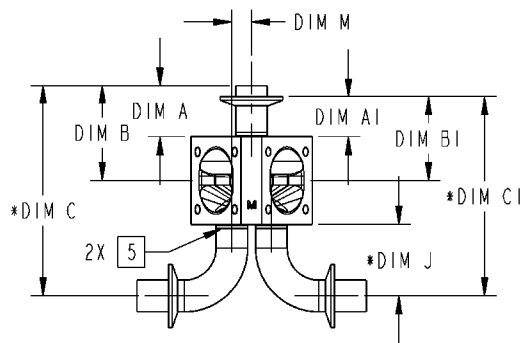
NOTE : ( UNLESS OTHERWISE SPECIFIED )

1. "P" NUMBERS INDICATE PORT CONNECTION.
2. TUBE ENDS MEET OR EXCEED THE FOLLOWING TANGENT LENGTHS  
1/4" - 1-1/2" = 1-1/2", 2" - 3" = 1-3/4", 4" = 2"
3. FOR FABRICATION TOLERANCES REFER TO ITT SPECIFICATION ES-0073.
- \* 4. TOLERANCE IS +/- .09 AS INDICATED.
5. FOR TUBE SIZE 1/2" & 3/4" WELD WILL BE IN AS WELDED CONDITION.

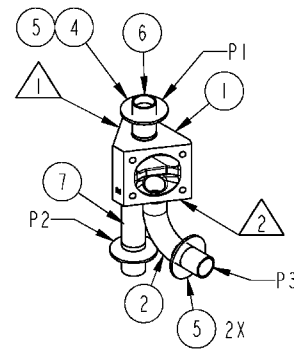
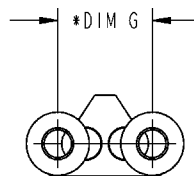
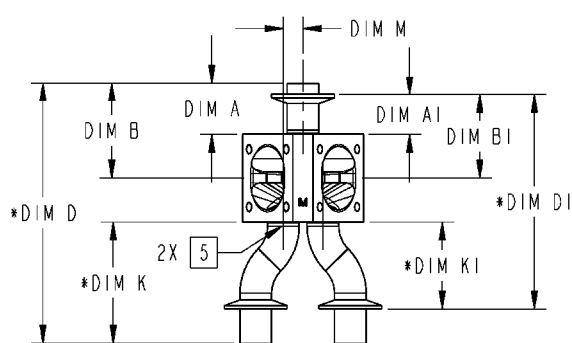
LIST OF MAJOR COMPONENTS	
ITEM	DESCRIPTION
1	BODY 2DV
2	ELBOW
3	FABRICATED ELBOW (I20729)
4	FERRULE TRI-CLAMP BUTT-WELD
5	FERRULE TRI-CLAMP SHORT WELD
6	TUBE X 1.50 LONG
7	TUBING



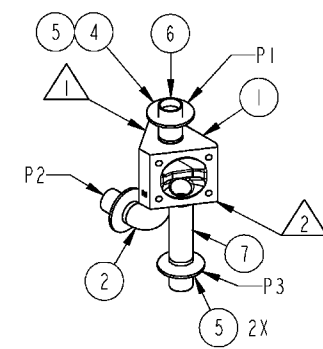
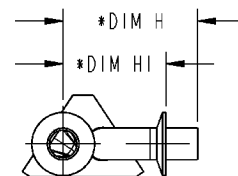
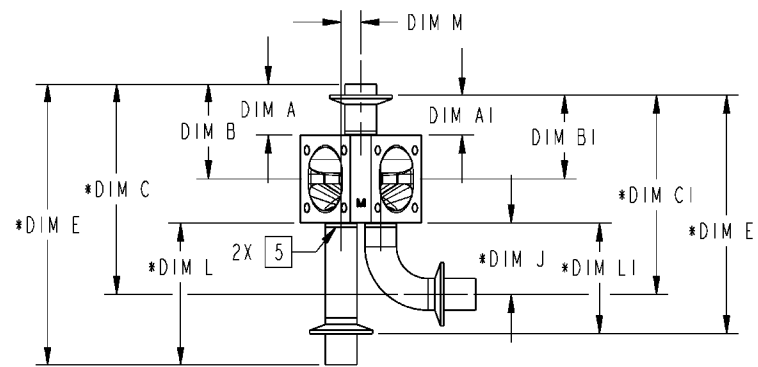
OPTION 1



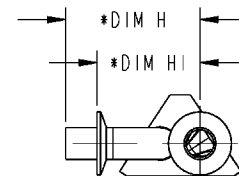
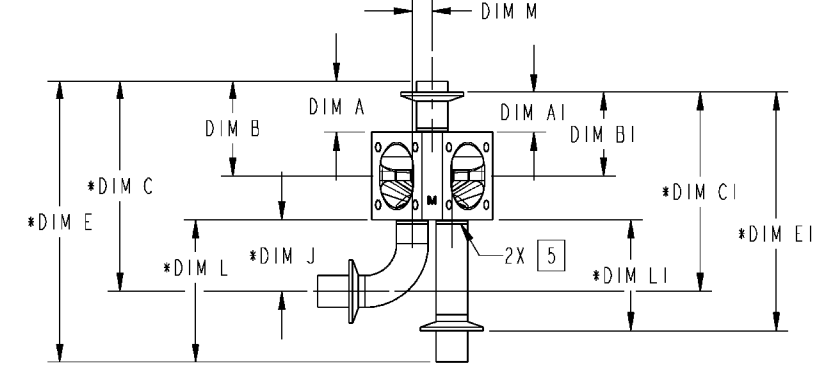
OPTION 2



OPTION 3



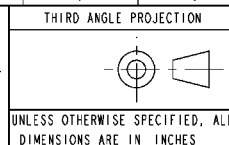
OPTION 4



VALVE SIZE	A	AI	B	BI	C	CI	D	DI	E	EI	F	FI	G	H	HI	J	K	KI	L	LI	M	DRAWING
00.50	1.63 [41,4]	0.63 [16,0]	2.57 [65,3]	1.57 [39,9]	5.01 [127,3]	4.01 [101,9]	6.62 [168,1]	4.38 [111,3]	6.76 [171,7]	4.75 [120,7]	5.25 [133,4]	3.25 [82,6]	1.99 [50,5]	3.00 [76,2]	2.00 [50,8]	1.50 [38,1]	3.11 [79,0]	1.87 [47,5]	3.25 [82,6]	2.24 [56,9]	0.38 [9,5]	118209
00.75	1.63 [41,4]	0.63 [16,0]	2.87 [72,8]	1.87 [47,4]	6.08 [154,4]	5.08 [129,0]	7.56 [192,0]	5.31 [134,9]	7.98 [202,7]	5.50 [139,7]	6.50 [165,1]	4.51 [114,6]	2.37 [60,2]	3.77 [95,6]	2.77 [70,4]	1.98 [50,3]	3.46 [87,9]	2.21 [56,1]	3.88 [98,6]	2.40 [61,0]	0.52 [13,1]	118210
01.00	1.63 [41,4]	1.26 [32,0]	3.01 [76,5]	2.64 [67,1]	6.64 [168,7]	6.27 [159,3]	8.21 [208,5]	6.76 [171,7]	8.89 [225,8]	7.51 [190,8]	7.25 [184,2]	5.25 [133,4]	2.99 [75,9]	4.25 [108,0]	3.25 [82,6]	2.25 [57,2]	3.82 [97,0]	2.74 [69,6]	4.50 [114,3]	3.49 [88,6]	0.63 [15,9]	118211
01.50	1.63 [41,4]	1.26 [32,0]	3.48 [88,3]	3.11 [78,9]	7.70 [195,6]	7.33 [186,2]	10.15 [257,8]	8.76 [222,5]	9.94 [252,5]	8.45 [214,6]	9.70 [246,4]	7.70 [195,6]	4.81 [122,2]	5.95 [151,1]	4.95 [125,7]	2.38 [60,5]	4.83 [122,7]	3.81 [96,8]	4.62 [117,3]	3.50 [88,9]	1.10 [27,9]	118212
02.00	1.88 [47,8]	1.26 [32,0]	4.01 [101,7]	3.39 [86,0]	9.51 [241,6]	8.89 [225,8]	12.26 [311,4]	10.39 [263,9]	12.01 [305,1]	11.01 [279,7]	12.00 [304,8]	9.50 [241,3]	6.00 [152,4]	7.25 [184,2]	6.00 [152,4]	3.38 [85,9]	6.13 [155,7]	4.88 [124,0]	5.88 [149,4]	5.50 [139,7]	1.25 [31,8]	118213
02.50	1.88 [47,8]	1.26 [32,0]	5.13 [130,3]	4.51 [114,6]	13.81 [350,8]	13.19 [335,0]	15.73 [399,5]	14.14 [359,2]	15.76 [400,3]	13.51 [343,2]	13.81 [350,9]	11.31 [287,4]	7.49 [190,3]	8.31 [211,2]	7.06 [179,4]	5.43 [137,9]	7.35 [186,7]	6.38 [162,1]	7.38 [187,5]	5.75 [146,1]	1.41 [35,7]	120018
03.00	1.88 [47,8]	1.26 [32,0]	5.13 [130,3]	4.51 [114,6]	14.76 [374,9]	14.14 [359,2]	16.76 [425,7]	15.12 [384,0]	17.63 [447,8]	15.76 [400,3]	16.00 [406,4]	13.50 [342,9]	9.12 [231,6]	9.75 [247,7]	8.50 [215,9]	6.38 [162,1]	8.38 [212,9]	7.36 [186,9]	9.25 [235,0]	8.00 [203,2]	1.75 [44,5]	121119
04.00	2.13 [54,1]	1.26 [32,0]	6.63 [168,4]	5.76 [146,3]	17.27 [438,5]	16.40 [416,4]	21.76 [552,7]	19.63 [498,6]	21.13 [536,7]	18.51 [470,2]	20.41 [518,4]	17.67 [448,8]	11.55 [293,3]	12.41 [315,2]	11.04 [280,4]	6.14 [155,8]	10.63 [270,0]	9.37 [238,0]	10.00 [254,0]	8.25 [209,6]	2.20 [56,0]	M10093

PURE-FLO ORDER: \_\_\_\_\_ ITEM: \_\_\_\_\_  
 CUSTOMER: \_\_\_\_\_  
 CUSTOMER PO: \_\_\_\_\_  
 OTHER INFO: \_\_\_\_\_

THIS DOCUMENT IS THE SOLE PROPERTY OF ITT CORPORATION, OR ITS SUBSIDIARY, AND IS PROVIDED SUBJECT TO RETURN. IT IS ISSUED IN STRICT CONFIDENCE AND SHALL NOT BE REPRODUCED, OR COPIED, OR DISCLOSED IN WHOLE OR IN PART, OR USED AS THE BASIS FOR THE MANUFACTURE OR SALES OF APPARATUS OR PARTS TO WHICH THE DOCUMENT RELATES, WITHOUT THE EXPRESS WRITTEN CONSENT OF ITT CORPORATION, OR ITS SUBSIDIARY. THIS LEGEND SHALL BE MARKED ON ANY REPRODUCTION HEREOF, IN WHOLE OR IN PART. ALL RIGHTS TO THE INFORMATION AND DESIGN DISCLOSED HEREIN ARE RESERVED TO ITT CORPORATION, OR ITS SUBSIDIARY.



UNLESS OTHERWISE NOTED  
 INCH MM  
 X: ± 0.06  
 XX: ± 0.06  
 XXX: ± 0.02  
 1/2 X: ± 0.02  
 X: ± 0.02

DATE	BY
04/03/14	MJM
04/03/14	MMA
04/03/14	MMA

1/2" PF THRU 4"  
 2-WAY DIVERT VALVE  
 TCE & AWE TABULATED

**ITT**  
 www.ittpureflo.com

D A26573 SHEET 1 OF 1 REV B

MASTER DWG: A26573/B ECN# 15375 ISSUE BY: \_\_\_\_\_ CERT BY: \_\_\_\_\_