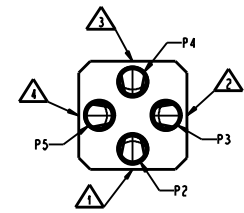
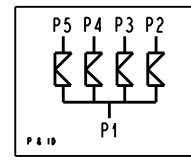


VALVE SIZE	A	A1	B	B1	C	C1	D	D1	E	E1	F	G	H	H1
1/4" BP/BT	1.63 (41,3)	1.26 (31,9)	2.38 (60,3)	2.01 (50,9)	5.88 (149,2)	5.51 (139,8)	6.67 (169,4)	4.67 (118,6)	7.28 (184,8)	5.91 (150,0)	4.51 (114,4)	2.75 (69,9)	4.15 (105,5)	3.15 (80,1)
3/8" BP/BT	1.63 (41,3)	1.26 (31,9)	2.38 (60,3)	2.01 (50,9)	5.88 (149,2)	5.51 (139,8)	6.67 (169,4)	4.67 (118,6)	7.67 (194,9)	6.30 (160,1)	4.83 (122,8)	2.75 (69,9)	4.55 (115,6)	3.55 (90,2)
1/2" BP/BT	1.63 (41,3)	1.26 (31,9)	2.38 (60,3)	2.01 (50,9)	6.25 (158,8)	5.88 (149,4)	7.42 (188,4)	4.67 (118,6)	8.00 (203,1)	6.38 (161,9)	4.98 (126,4)	3.13 (79,4)	4.87 (123,7)	3.62 (92,0)
1/2" PF	1.63 (41,3)	1.26 (31,9)	2.56 (65,1)	2.19 (55,7)	6.63 (168,3)	6.25 (158,8)	7.75 (196,9)	5.00 (127,0)	8.37 (212,6)	6.75 (171,5)	5.31 (134,8)	3.13 (79,4)	4.87 (123,7)	3.62 (92,0)
3/4"	1.63 (41,3)	1.26 (31,9)	2.81 (71,4)	2.44 (62,0)	7.13 (181,0)	6.76 (171,6)	7.94 (201,7)	5.19 (131,8)	9.23 (234,3)	7.61 (193,2)	5.71 (145,0)	3.13 (79,4)	5.23 (132,7)	3.98 (101,0)
1"	1.63 (41,3)	1.26 (31,9)	3.00 (76,2)	2.63 (66,8)	7.50 (190,5)	7.13 (181,1)	8.25 (209,6)	6.25 (158,8)	9.87 (250,6)	8.37 (212,6)	6.24 (158,5)	3.13 (79,4)	5.49 (139,5)	4.37 (110,9)
1-1/2"	1.63 (41,3)	1.26 (31,9)	3.44 (87,3)	3.07 (77,9)	9.13 (231,8)	8.76 (222,4)	10.33 (262,4)	8.33 (211,6)	11.70 (297,1)	10.27 (260,8)	7.61 (193,3)	3.88 (98,4)	6.45 (163,8)	5.39 (136,8)
2"	1.88 (47,6)	1.26 (31,9)	4.00 (101,6)	3.38 (85,9)	11.00 (279,4)	10.38 (263,7)	13.74 (349,1)	11.24 (285,5)	13.96 (354,5)	12.09 (307,0)	10.17 (258,4)	4.88 (123,8)	7.83 (199,0)	6.58 (167,2)
2-1/2"	1.88 (47,6)	1.26 (31,9)	4.94 (125,4)	4.32 (109,7)	13.63 (346,1)	13.01 (330,3)	16.13 (409,6)	13.63 (346,1)	17.00 (431,9)	15.07 (382,8)	12.02 (305,4)	5.63 (142,9)	9.00 (228,7)	7.69 (195,4)
3"	1.88 (47,6)	1.26 (31,9)	4.94 (125,4)	4.32 (109,7)	14.38 (365,1)	13.76 (349,4)	18.51 (470,2)	16.01 (406,7)	17.96 (456,2)	16.09 (408,7)	13.70 (348,0)	6.38 (161,9)	9.96 (253,0)	8.71 (221,2)

LIST OF MAJOR COMPONENTS	
ITEM	DESCRIPTION
1	4DY BODY, (121247)
2	ELBOW 90 DEG BPE
3	ELBOW 90 DEG BPE W/ TC
4	FERRULE TRI-CLAMP BW
5	ELBOW 45 DEG BPE
6	ELBOW 45 DEG BPE W/ TC
7	TUBE

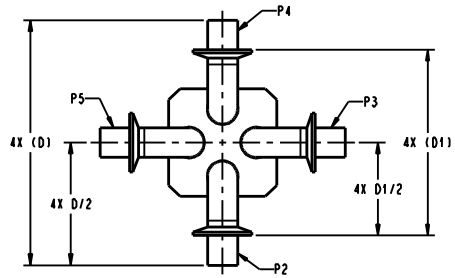


TOP VIEW
BODY ONLY



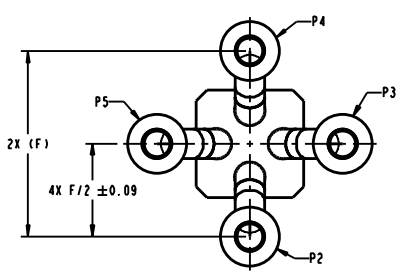
P 4 10

OPTION-1

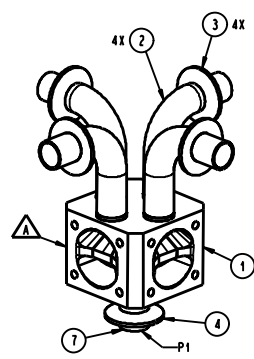


TOP VIEW

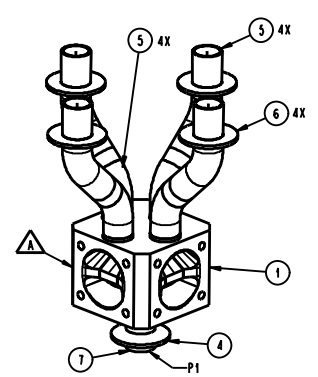
OPTION-2



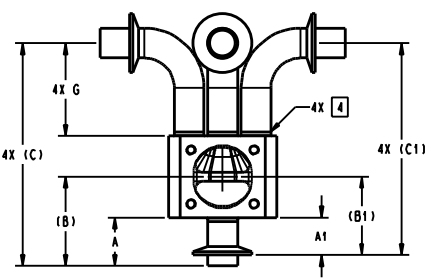
TOP VIEW



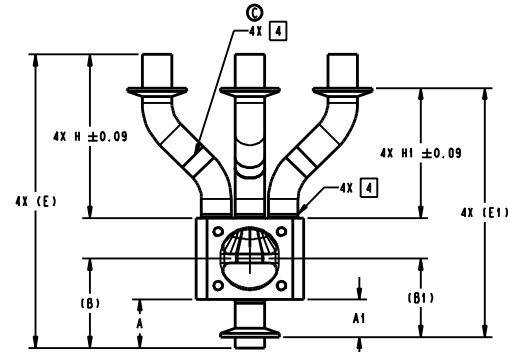
ISOMETRIC VIEW



ISOMETRIC VIEW



FRONT VIEW



FRONT VIEW

- NOTES:
1. "P" NUMBERS INDICATE PORT CONNECTION.
 2. TUBE ENDS MEET OR EXCEED THE FOLLOWING TANGENT LENGTHS
1/4" - 1-1/2" = 1-1/2", 2" - 3" = 1-3/4"
 3. VALVE MUST BE INSTALLED WITH P1 VERTICALLY (UP OR DOWN) FOR OPTIMAL DRAINABILITY.
 4. WELD WILL BE LEFT IN AS WELDED CONDITION.
 5. SEE DRAWING 123677 FOR OPTION-2 ELBOW FABRICATION.

TAG NUMBERS				
1	2	3	4	5
VALVE ASSY	FIRST VALVE	SECOND VALVE	THIRD VALVE	FOURTH VALVE

PURE-FLO ORDER: _____ ITEM: _____
 CUSTOMER: _____
 CUSTOMER PO: _____
 OTHER INFO: _____

THIS DOCUMENT IS THE SOLE PROPERTY OF ITT CORPORATION, OR ITS SUBSIDIARY, AND IS PROVIDED SUBJECT TO RETURN. IT IS ISSUED IN STRICT CONFIDENCE AND SHALL NOT BE REPRODUCED, OR COPIED, OR DISCLOSED IN WHOLE OR IN PART, OR USED AS THE BASIS FOR THE MANUFACTURE OR SALES OF APPARATUS OR PARTS TO WHICH THE DOCUMENT RELATES, WITHOUT THE EXPRESS WRITTEN CONSENT OF ITT CORPORATION, OR ITS SUBSIDIARY. THIS LEGEND SHALL BE MARKED ON ANY REPRODUCTION HEREOF, IN WHOLE OR IN PART. ALL RIGHTS TO THE INFORMATION AND DESIGN DISCLOSED HEREIN ARE RESERVED TO ITT CORPORATION, OR ITS SUBSIDIARY.

THIRD ANGLE PROJECTION

 UNLESS OTHERWISE SPECIFIED, ALL DIMENSIONS ARE IN INCHES

DATE	BY	DESCRIPTION
01/27/11	LFV	1/4" TO 3" 4-WAY DIVERT VALVE ASSY. OPTIONS 1 & 2 TCE & AWE TABULATED
01/27/11	MMA	
01/27/11	MMA	

ITT
 A26773
 SHEET 1 OF 1
 REV C
 MASTER DWG: A26773/C
 ITCN: 15346
 ISSUE BY: _____
 CHECK BY: _____