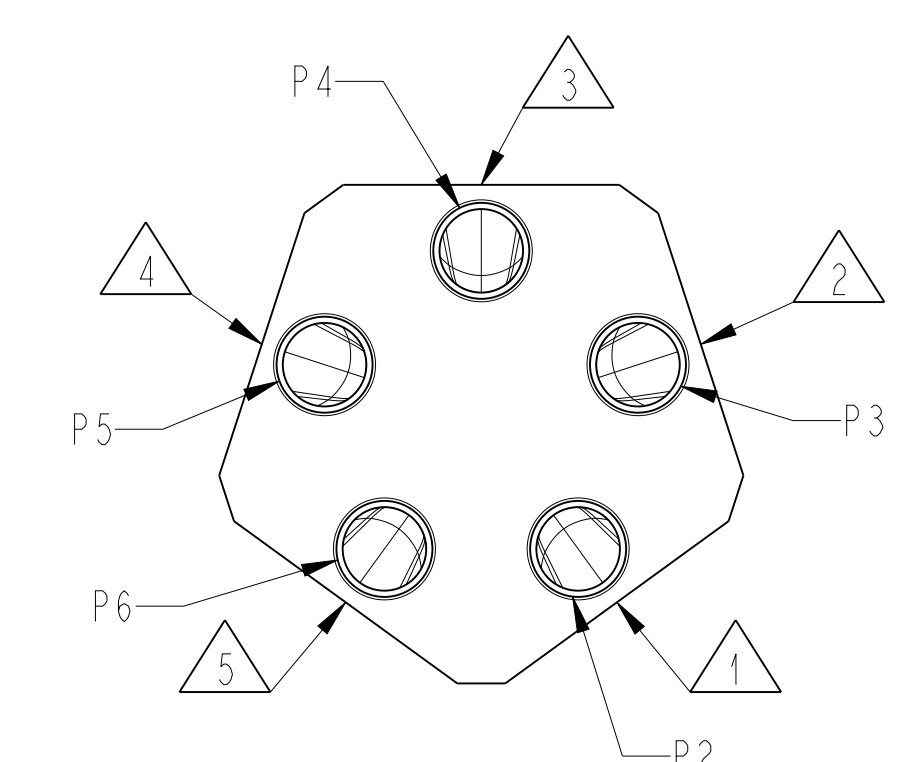


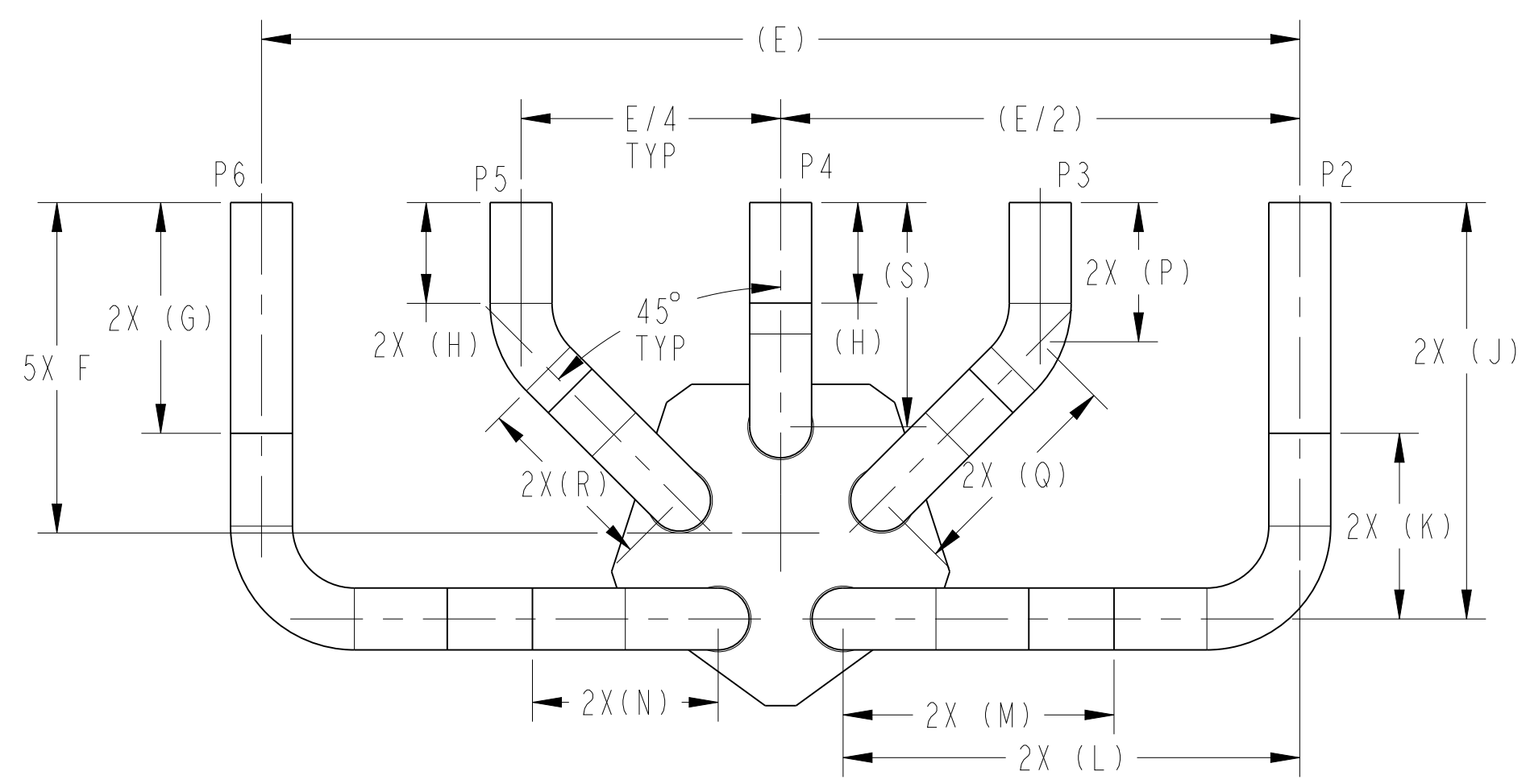
VALVE SIZE	A	B	B1	C	C1	D	E	F	F1	G	G1	H	J	J1	K	L	M	N	P	P1	Q	R	S	S1
1/4" BP/BT	1.63 [41,3]	(2.38) [60,3]	(2.01) [50,9]	(5.88) [149,2]	(5.51) [139,8]	2.75 [69,9]	(11.96) [303,8]	4.34 [110,1]	3.34 [84,7]	(2.54) [64,4]	(1.04) [26,3]	(1.50) [38,1]	(5.16) [131,1]	(4.16) [105,7]	(2.63) [66,7]	(5.38) [136,7]	(2.76) [70,0]	(2.63) [66,7]	(2.00) [50,8]	(1.00) [25,4]	(2.86) [72,6]	(2.63) [66,7]	(3.32) [84,2]	(2.32) [58,8]
3/8" BP/BT	1.63 [41,3]	(2.38) [60,3]	(2.01) [50,9]	(5.88) [149,2]	(5.51) [139,8]	2.75 [69,9]	(12.62) [320,5]	4.50 [114,3]	3.50 [88,9]	(2.70) [68,6]	(1.20) [30,5]	(1.50) [38,1]	(5.33) [135,3]	(4.33) [109,9]	(2.63) [66,7]	(5.71) [145,1]	(3.09) [78,4]	(2.63) [66,7]	(2.00) [50,8]	(1.00) [25,4]	(3.09) [78,5]	(2.63) [66,7]	(3.48) [88,4]	(2.48) [63,0]
1/2" BP/BT	1.63 [41,3]	(2.38) [60,3]	(2.01) [50,9]	(6.25) [158,8]	(5.88) [149,4]	3.13 [79,4]	(13.24) [336,3]	4.91 [124,6]	3.66 [92,9]	(2.73) [69,3]	(0.98) [24,9]	(1.75) [44,5]	(5.73) [145,5]	(4.48) [113,8]	(3.00) [76,2]	(6.02) [152,9]	(3.02) [76,7]	(3.00) [76,2]	(2.25) [57,2]	(1.00) [25,4]	(3.31) [84,1]	(3.00) [76,2]	(3.89) [98,7]	(2.64) [67,0]
1/2" PF	1.63 [41,3]	(2.56) [65,1]	(2.19) [55,7]	(6.63) [168,3]	(6.26) [158,9]	3.13 [79,4]	(14.39) [365,5]	5.00 [127,0]	3.75 [95,2]	(3.07) [77,9]	(1.32) [33,5]	(1.75) [44,5]	(6.07) [154,1]	(4.82) [122,4]	(3.00) [76,2]	(6.42) [163,0]	(3.42) [86,8]	(3.00) [76,2]	(2.25) [57,2]	(1.00) [25,4]	(3.31) [84,1]	(3.00) [76,2]	(3.68) [93,5]	(2.43) [61,7]
3/4"	1.63 [41,3]	(2.81) [71,4]	(2.44) [62,0]	(7.13) [181,0]	(6.76) [171,6]	3.13 [79,4]	(15.55) [395,0]	5.17 [131,3]	3.92 [99,5]	(3.39) [86,1]	(1.64) [41,6]	(1.75) [44,5]	(6.39) [162,3]	(5.14) [130,5]	(3.00) [76,2]	(6.89) [174,9]	(3.89) [98,7]	(3.00) [76,2]	(2.25) [57,2]	(1.00) [25,4]	(3.47) [88,1]	(3.00) [76,2]	(3.66) [92,9]	(2.41) [61,2]
1"	1.63 [41,3]	(3.00) [76,2]	(2.63) [66,8]	(7.50) [190,5]	(7.13) [181,1]	3.13 [79,4]	(16.77) [426,0]	5.34 [135,7]	4.22 [107,1]	(3.73) [94,7]	(2.10) [53,4]	(1.63) [41,3]	(6.73) [170,9]	(5.60) [142,3]	(3.00) [76,2]	(7.38) [187,4]	(4.38) [111,2]	(3.00) [76,2]	(2.25) [57,2]	(1.13) [28,6]	(3.62) [92,0]	(3.00) [76,2]	(3.62) [92,1]	(2.50) [63,5]
1-1/2"	1.63 [41,3]	(3.44) [87,3]	(3.07) [77,9]	(9.13) [231,8]	(8.76) [222,4]	3.88 [98,4]	(21.53) [546,9]	6.48 [164,7]	5.42 [137,7]	(4.50) [114,2]	(2.93) [74,5]	(1.56) [39,7]	(8.25) [209,5]	(7.18) [182,5]	(3.75) [95,3]	(9.48) [240,9]	(5.73) [145,7]	(3.75) [95,3]	(2.50) [63,5]	(1.44) [36,5]	(4.68) [118,9]	(3.75) [95,3]	(4.31) [109,4]	(3.24) [82,4]
2"	1.88 [47,6]	(4.00) [101,6]	(3.38) [85,9]	(11.00) [279,4]	(10.38) [263,7]	4.88 [123,8]	(26.90) [683,3]	8.05 [204,4]	6.80 [172,6]	(5.41) [137,5]	(3.66) [93,0]	(1.75) [44,5]	(10.16) [258,1]	(8.91) [226,4]	(4.75) [120,7]	(11.91) [302,6]	(7.16) [181,9]	(4.75) [120,7]	(3.00) [76,2]	(1.75) [44,5]	(5.99) [152,2]	(4.75) [120,7]	(5.43) [137,9]	(4.18) [106,1]
2-1/2"	1.88 [47,6]	(4.94) [125,4]	(4.32) [109,7]	(13.63) [346,1]	(13.01) [330,3]	5.63 [142,9]	(35.72) [907,3]	9.67 [245,6]	8.36 [212,3]	(7.49) [190,3]	(5.68) [144,3]	(1.81) [46,0]	(12.99) [330,0]	(11.68) [296,7]	(5.50) [139,7]	(15.45) [392,4]	(9.95) [252,7]	(5.50) [139,7]	(3.38) [85,7]	(2.06) [52,4]	(7.11) [180,5]	(5.50) [139,7]	(5.56) [141,3]	(4.25) [107,9]
3"	1.88 [47,6]	(4.94) [125,4]	(4.32) [109,7]	(14.38) [365,1]	(13.76) [349,4]	6.38 [161,9]	(37.62) [955,5]	10.55 [268,1]	9.30 [236,3]	(7.42) [188,6]	(5.67) [144,1]	(1.75) [44,5]	(13.67) [347,3]	(12.42) [315,6]	(6.25) [158,8]	(16.54) [420,2]	(10.29) [261,4]	(6.25) [158,8]	(3.63) [92,1]	(2.38) [60,3]	(8.11) [206,1]	(6.25) [158,8]	(6.70) [170,1]	(5.45) [138,3]

LIST OF MAJOR COMPONENTS	
ITEM	DESCRIPTION
1	5DV BODY, (121269)
2	ELBOW 45 DEG WBXFT
3	ELBOW 45 DEG WBXTC
4	ELBOW 90 DEG BPE
5	FERRULE TRI-CLAMP BW
6	FERRULE TRI-CLAMP SW
7	TUBING

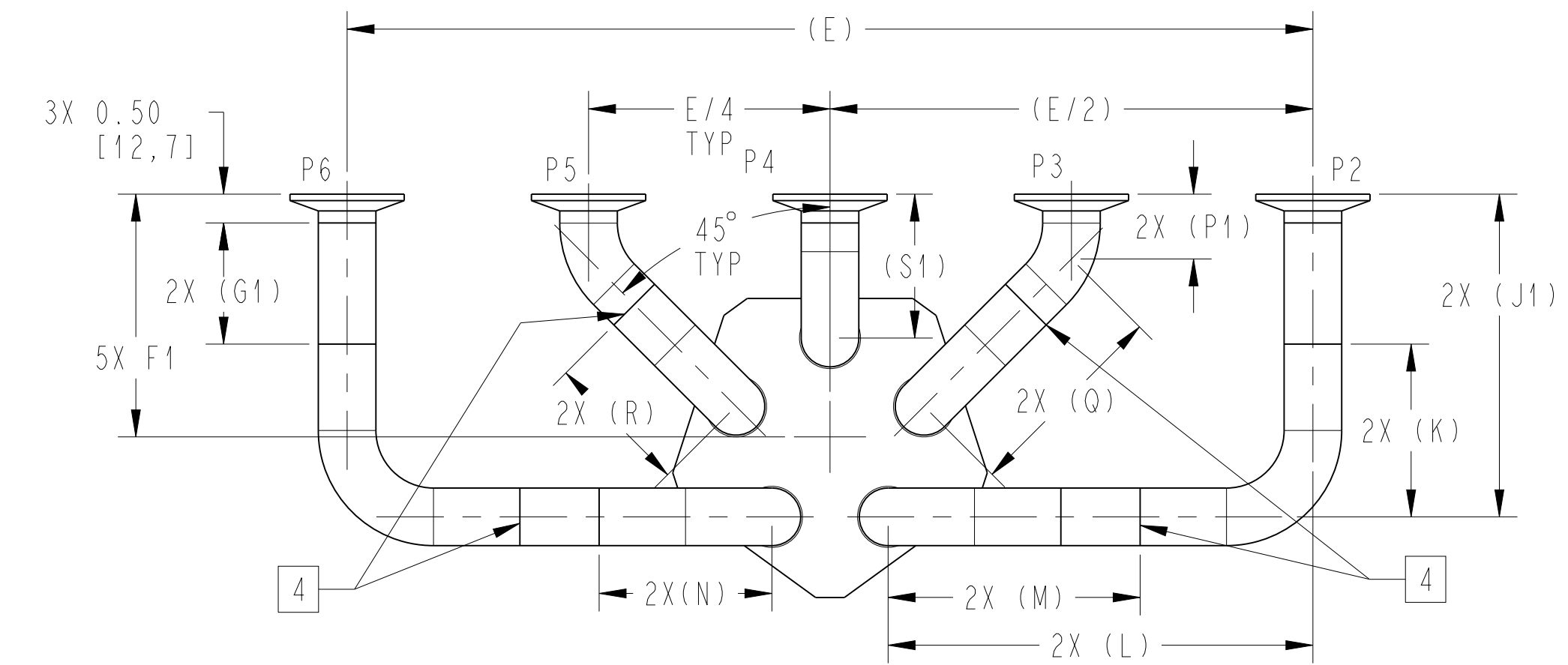


- NOTES:
- "P" NUMBERS INDICATE PORT CONNECTION
  - TUBE ENDS MEET OR EXCEED THE FOLLOWING TANGENT LENGTHS 1/4" - 1-1/2" = 1-1/2", 2" - 3" = 1-3/4"
  - VALVE MUST BE INSTALLED WITH P1 VERTICALLY (UP OR DOWN) FOR OPTIMAL DRAINABILITY.
  - WELD WILL BE LEFT IN AS WELDED CONDITION.
  - FOR SIZES 1/4" & 3/8" BENT TUBING MAY BE USED FOR FABRICATION

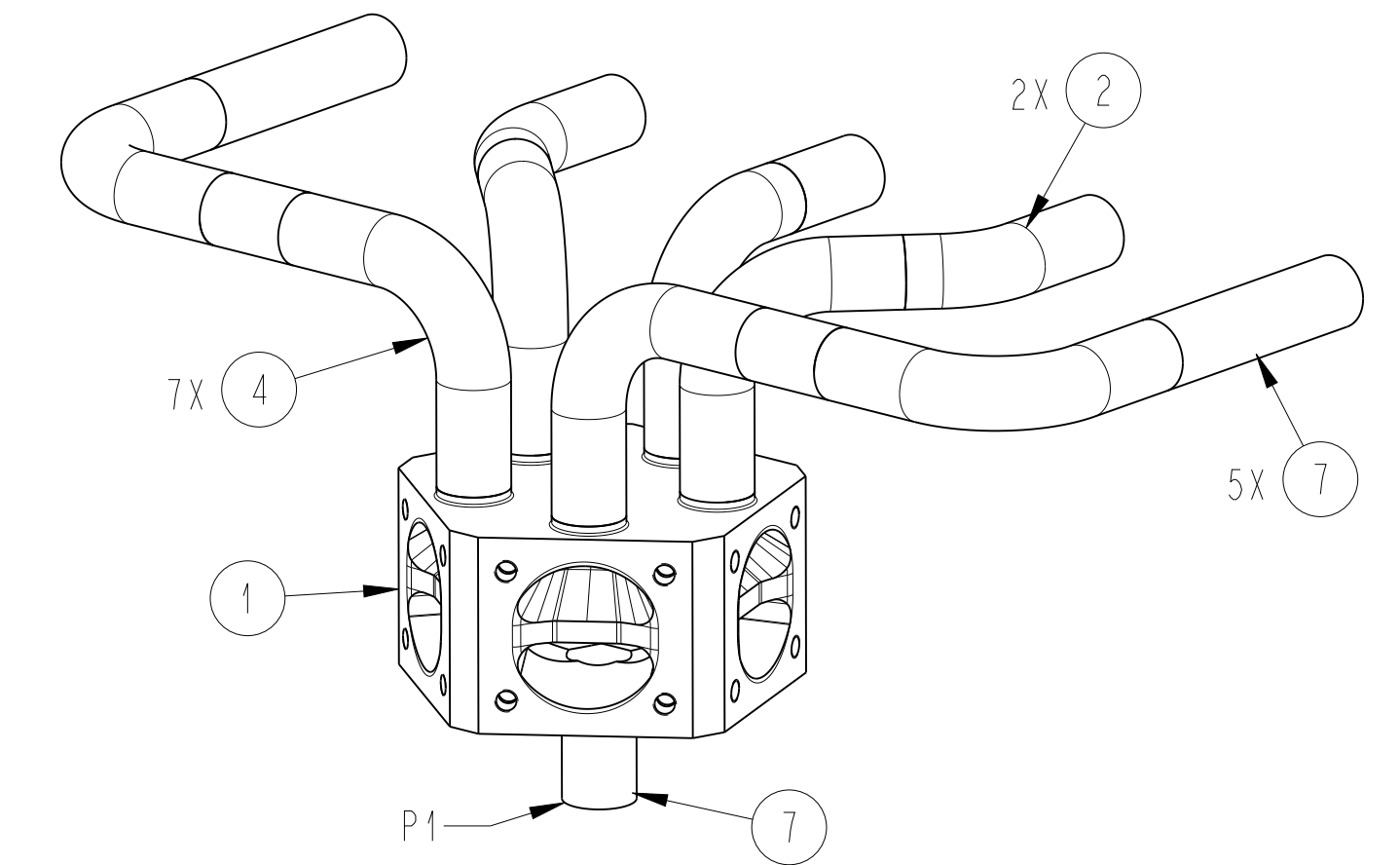
TAG NUMBERS						
	VALVE ASSY	FIRST VALVE	SECOND VALVE	THIRD VALVE	FOURTH VALVE	FIFTH VALVE
1						



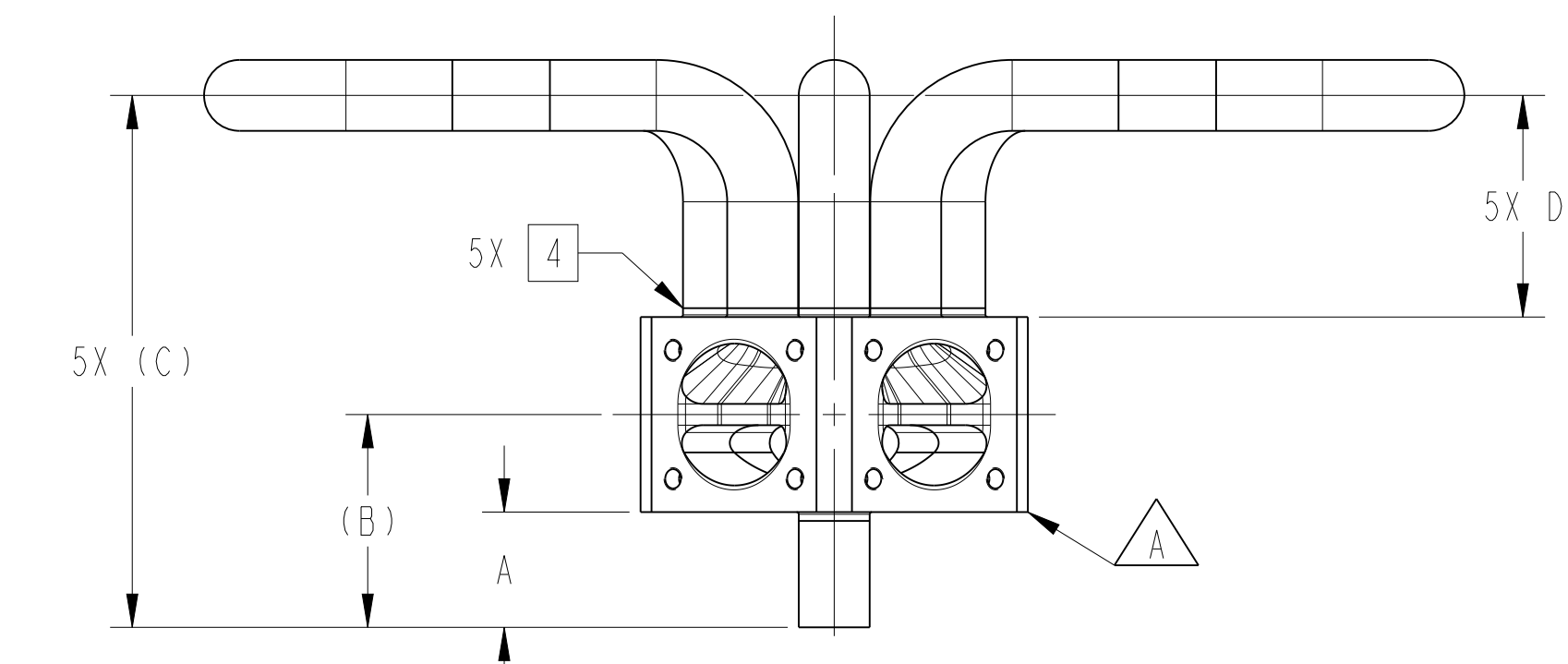
TOP VIEW



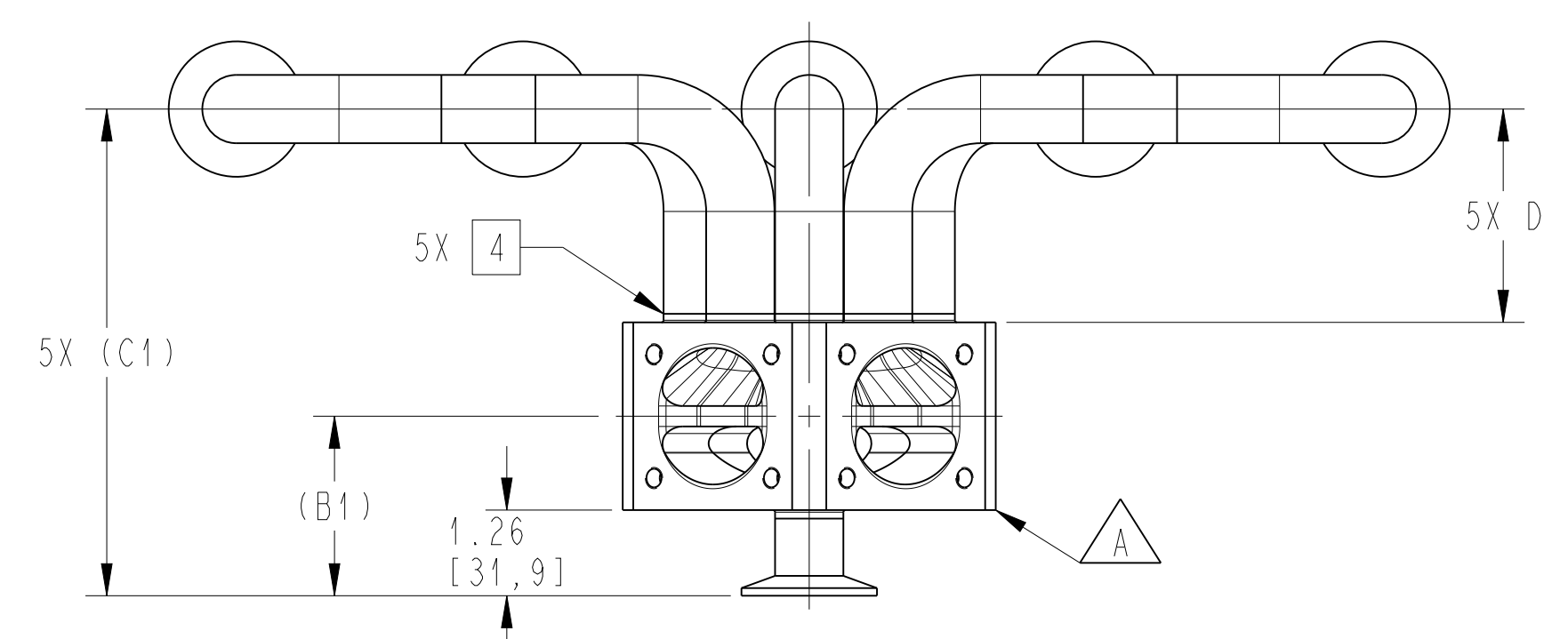
TOP VIEW



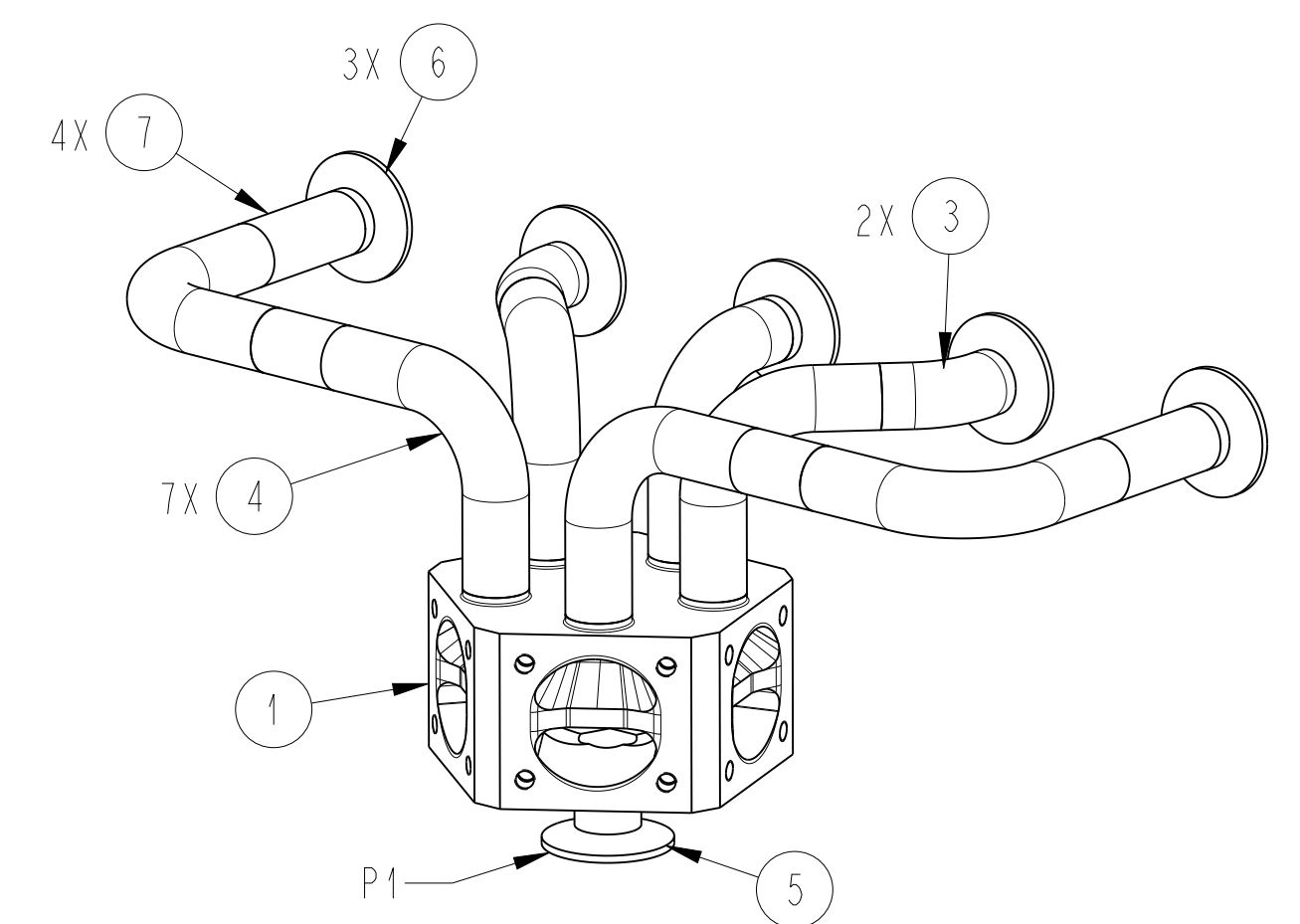
ISOMETRIC VIEW



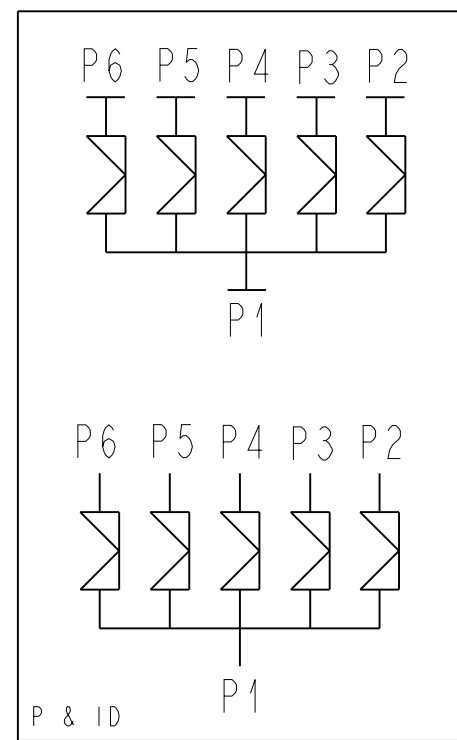
FRONT VIEW



FRONT VIEW

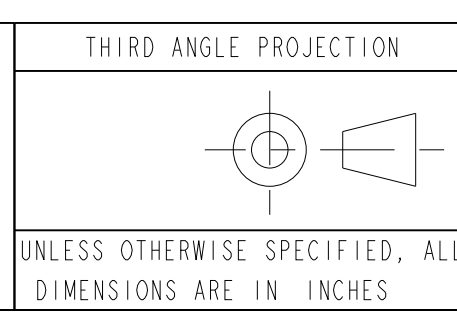


ISOMETRIC VIEW



PURE-FLO ORDER: - ITEM: -  
 CUSTOMER: -  
 CUSTOMER PO: -  
 OTHER INFO: -

THIS DOCUMENT IS THE SOLE PROPERTY OF ITT CORPORATION, OR ITS SUBSIDIARY, AND IS PROVIDED SUBJECT TO RETURN. IT IS ISSUED IN STRICT CONFIDENCE AND SHALL NOT BE REPRODUCED, OR COPIED, OR DISCLOSED IN WHOLE OR IN PART, OR USED AS THE BASIS FOR THE MANUFACTURE OR SALES OF APPARATUS OR PARTS TO WHICH THE DOCUMENT RELATES, WITHOUT THE EXPRESS WRITTEN CONSENT OF ITT CORPORATION, OR ITS SUBSIDIARY. THIS LEGEND SHALL BE MARKED ON ANY REPRODUCTION HEREOF, IN WHOLE OR IN PART. ALL RIGHTS TO THE INFORMATION AND DESIGN DISCLOSED HEREIN ARE RESERVED TO ITT CORPORATION, OR ITS SUBSIDIARY.



UNLESS OTHERWISE NOTED	
INCH	MM
X ± 0.06	X ± 1.5
.XX ± 0.06	.XX ± 1.5
.XXX ± 0.02	.XXX ± 0.5
X/XX ± 0.02	X/XX ± 0.5
X ± 0.015	X ± 0.38
X ± 0.005	X ± 0.127

DATE	BY
01/16/20	LFV
01/16/20	TJS
01/16/20	MMA

1/4" TO 3" 5-WAY DIVERT VALVE  
 ASSY. OPTION 3  
 TCE & AWE TABULATED

**ITT** Pure-Flo  
 www.ittpureflo.com

D A31589 SHEET 1 OF 1 REV -

MASTER DWG: A31589/- ECN# 17098 ISSUE BY: - CERT BY: -