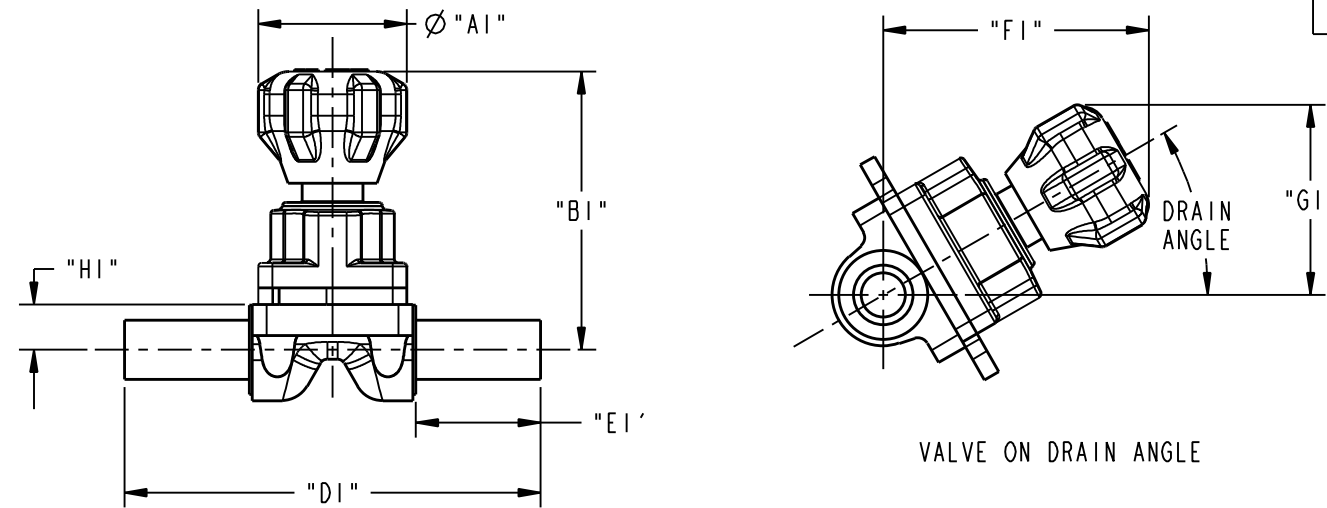
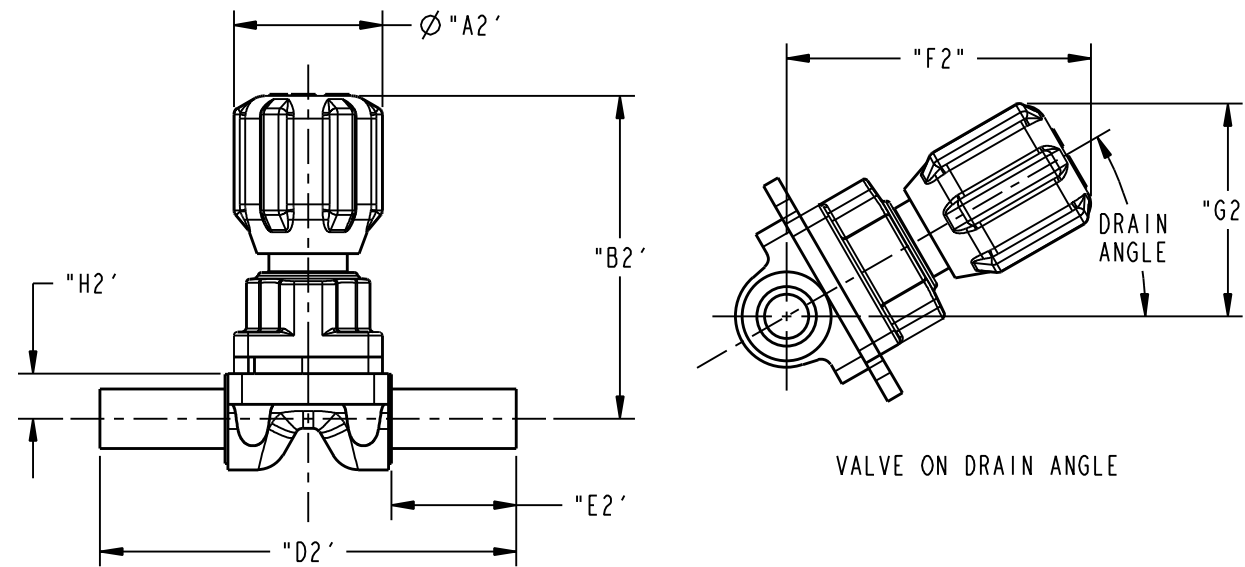


STANDARD BONNET ASSEMBLY




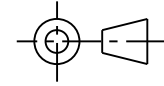
VALVE SIZE	ϕ "A1"	"B1"	"D1"	"E1"	"F1"	"G1"	"H1"	DRAIN ANGLE
00.25 [DN6]								30°
00.38 [DN10]	1.25 [31,8]	2.34 [59,4]	3.50 [88,9]	1.05 [26,7]	2.23 [56,6]	1.60 [40,6]	0.38 [9,7]	
00.50 [DN15]								

COP BONNET ASSEMBLY



VALVE SIZE	ϕ "A2"	"B2"	"D2"	"E2"	"F2"	"G2"	"H2"	DRAIN ANGLE
00.25 [DN6]								30°
00.38 [DN10]	1.25 [31,8]	2.71 [68,9]	3.50 [88,9]	1.05 [26,7]	2.56 [65,0]	1.79 [45,5]	0.38 [9,7]	
00.50 [DN15]								

THIS DOCUMENT IS THE SOLE PROPERTY OF ITT CORPORATION, OR ITS SUBSIDIARY, AND IS PROVIDED SUBJECT TO RETURN. IT IS ISSUED IN STRICT CONFIDENCE AND SHALL NOT BE REPRODUCED, OR COPIED, OR DISCLOSED IN WHOLE OR IN PART, OR USED AS THE BASIS FOR THE MANUFACTURE OR SALES OF APPARATUS OR PARTS TO WHICH THE DOCUMENT RELATES, WITHOUT THE EXPRESS WRITTEN CONSENT OF ITT CORPORATION, OR ITS SUBSIDIARY. THIS LEGEND SHALL BE MARKED ON ANY REPRODUCTION HEREOF, IN WHOLE OR IN PART. ALL RIGHTS TO THE INFORMATION AND DESIGN DISCLOSED HEREIN ARE RESERVED TO ITT CORPORATION, OR ITS SUBSIDIARY.

PURE-FLO ORDER: -	ITEM: -	THIRD ANGLE PROJECTION	UNLESS OTHERWISE NOTED	DATE	BY	BIO-PURE WEIR VALVE OUTLINE	 ITT Pure-Flo www.ittpureflo.com
CUSTOMER: -			INCH MM .X : ± 0.06 X : ± 1,5 .XX : ± 0.06 .X : ± 1,5 .XXX : ± 0.02 .XX : ± ,5 X/X : ± 1/16 .X : ± ,5 .X : ± ,5	DWN 01/26/11	MJM	BW X BW	
CUSTOMER PO: -				CHKD 01/26/11	JRD	00.25 - 00.50 STD AND COP	
OTHER INFO: -		UNLESS OTHERWISE SPECIFIED, ALL DIMENSIONS ARE IN		APVD 01/26/11	JRD	BONNET ASSEMBLY	
				MASTER DWG: A26713/-		ECN# 10203	ISSUED BY: -
							CERT BY: -