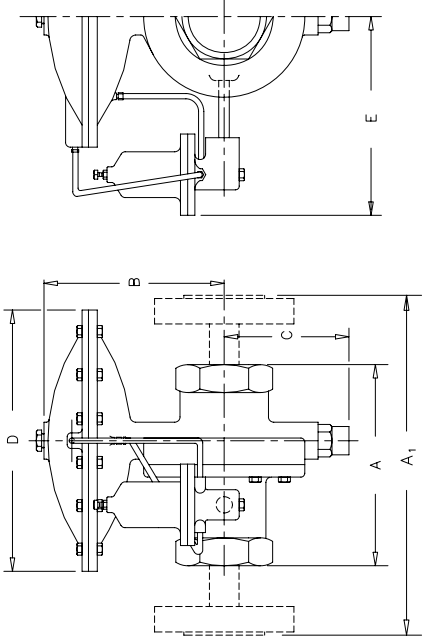


VALVE SIZE	THREADED & FSW ENDS						WGT. LBS
	DIMENSIONS, INCHES						
	A	B	C	D	E		
1/2	DI CS/SS ALL	5.50	5.06	3.50	7.12	8.00	32
3/4		5.31	5.50	5.06	3.50	7.12	32
1		5.69	6.50	5.25	3.62	7.12	36
1 1/4		5.88	6.50	5.43	3.75	7.12	36
1 1/2		8.18	8.18	7.00	5.00	10.62	37
2		8.18	8.18	7.00	5.00	10.62	39

VALVE SIZE	150# & 300# FLANGED END						WGT. LBS
	DIMENSIONS, INCHES						
	A1	B	C	D	E		
1/2	11.50	5.06	3.50	7.12	8.00	36	
3/4	11.50	5.06	3.50	7.12	8.00	38	
1	11.50	5.25	3.62	7.12	8.00	42	
1 1/4	11.50	5.43	3.75	7.12	8.00	44	
1 1/2	14.50	7.00	5.00	10.62	9.50	49	
2	14.50	7.00	5.00	10.62	9.50	53	

① NOT TO ANSI



SPECIFICATION DATA

CUSTOMER _____
 ORDER No. _____ SERIAL No. _____
 TAG No. _____
 VALVE TYPE _____ QTY. _____
 BODY _____
 END CONN. _____
 INLET PRESS. _____ MAX. Δ P _____
 PRESS. RANGE _____ SET AT _____
 VALVE ACTION: RISE IN PRESSURE TO OPEN CLOSE
 VALVE SEAT _____ Cv _____
 MISC. _____
 CERTIFIED _____ DATE _____

 RICHARDS INDUSTRIES
 CINCINNATI, OHIO
 U.S.A.

VALVE GROUP _____

F.N.:MK6769H

1/2"-2" MK6769H
 EXTERNAL PILOT OPERATED PRESSURE REDUCING VALVE
 WITH HIGH PRESSURE PILOT

DRAWN BY	DATE
JLW	4/09/03
CHECKED BY	DATE

MK6769H