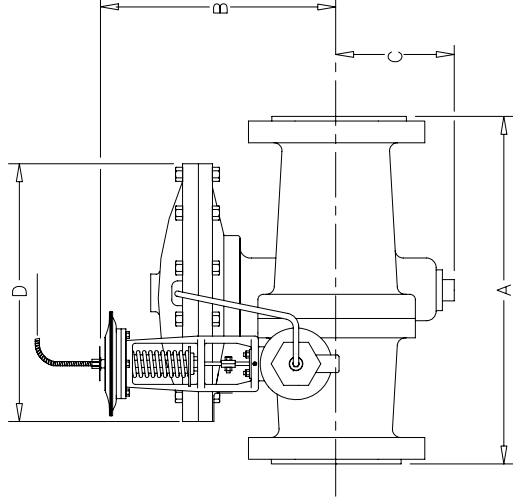
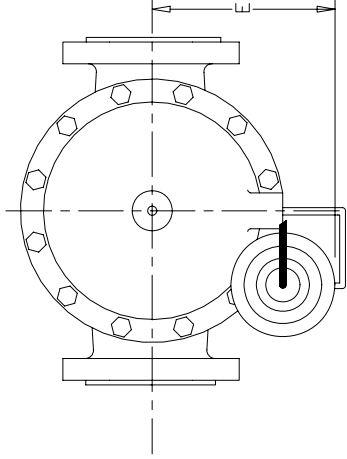


+

VALVE SIZE	ANSI FLANGE	DIMENSIONS, INCHES				WGT. LBS.	
		A	B	C	D		E
2 1/2	125-150	10.87	12.57	6.93	12.75	11.00	140
	250-300	11.50	12.57	6.93	12.75	11.00	
3	125-150	11.75	12.57	6.93	12.75	11.50	160
	250-300	12.50	12.57	6.93	12.75	11.50	
4	125-150	13.87	12.57	8.00	12.75	13.00	200
	250-300	14.50	12.57	8.00	12.75	13.00	
6	125-150	17.75	12.57	9.00	12.75	13.50	290
	250-300	18.62	12.57	9.00	12.75	13.50	



## SPECIFICATION DATA

CUSTOMER \_\_\_\_\_  
 ORDER No. \_\_\_\_\_ SERIAL No. \_\_\_\_\_  
 TAG No. \_\_\_\_\_  
 VALVE TYPE \_\_\_\_\_ QTY. \_\_\_\_\_  
 BODY \_\_\_\_\_  
 END CONN. \_\_\_\_\_  
 INLET PRESS. \_\_\_\_\_ MAX.  $\Delta$ P \_\_\_\_\_  
 TEMP. RANGE \_\_\_\_\_ SET AT \_\_\_\_\_  
 VALVE ACTION: RISE IN TEMPERATURE TO  OPEN  CLOSE  
 VALVE SEAT \_\_\_\_\_  Cv \_\_\_\_\_  
 CAPILLARY LENGTH \_\_\_\_\_ BULB \_\_\_\_\_  
 MISC. \_\_\_\_\_  
 CERTIFIED \_\_\_\_\_ DATE \_\_\_\_\_



**RICHARDS INDUSTRIES**  
 CINCINNATI, OHIO  
 U.S.A.

VALVE GROUP 

FN: MK87-6

**2.5-6" MARK 87**

EXTERNAL PILOT OPERATED TEMPERATURE REGULATOR

DRAWN BY JLA

DATE 6/4/96

MK87

CHECKED BY \_\_\_\_\_

DATE 2 1/2-6"

+