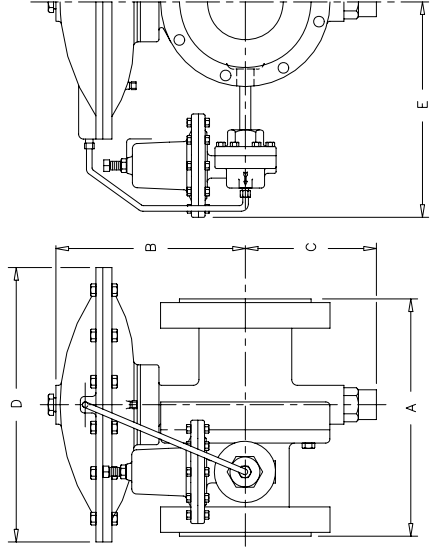


+

VALVE SIZE	FLANGE RATING	DIMENSIONS, INCHES				WGT. LBS	
		A	B	C	D		E
2 1/2	125-150	10.87	10.68	6.93	12.75	14.00	173
	250-300	11.50					
3	125-150	11.75	10.68	6.93	12.75	14.00	193
	250-300	12.50					
4	125-150	13.87	11.88	8.00	12.75	15.00	223
	250-300	14.50					
6	125-150	17.75	12.57	9.00	12.75	15.00	313
	250-300	18.62					



MK57

## SPECIFICATION DATA

CUSTOMER \_\_\_\_\_  
 ORDER No. \_\_\_\_\_ SERIAL No. \_\_\_\_\_  
 TAG No. \_\_\_\_\_  
 VALVE TYPE \_\_\_\_\_ QTY. \_\_\_\_\_  
 BODY \_\_\_\_\_  
 END CONN. \_\_\_\_\_  
 INLET PRESS. \_\_\_\_\_ MAX. Δ P \_\_\_\_\_  
 PRESS. RANGE \_\_\_\_\_ SET AT \_\_\_\_\_  
 VALVE ACTION: RISE IN PRESSURE TO  OPEN  CLOSE  
 VALVE SEAT \_\_\_\_\_ Cv \_\_\_\_\_  
 MISC. \_\_\_\_\_  
 CERTIFIED \_\_\_\_\_ DATE \_\_\_\_\_

 RICHARDS INDUSTRIES  
 CINCINNATI, OHIO  
 U.S.A.

VALVE GROUP 

FN: MK57-6	
REVISED	1/22/98 JJA

DRAWN BY	DATE
JJA	3/21/98
CHECKED BY	DATE

MK57

EXTERNAL PILOT OPERATED BACK PRESSURE REGULATOR

2 1/2-6"

+