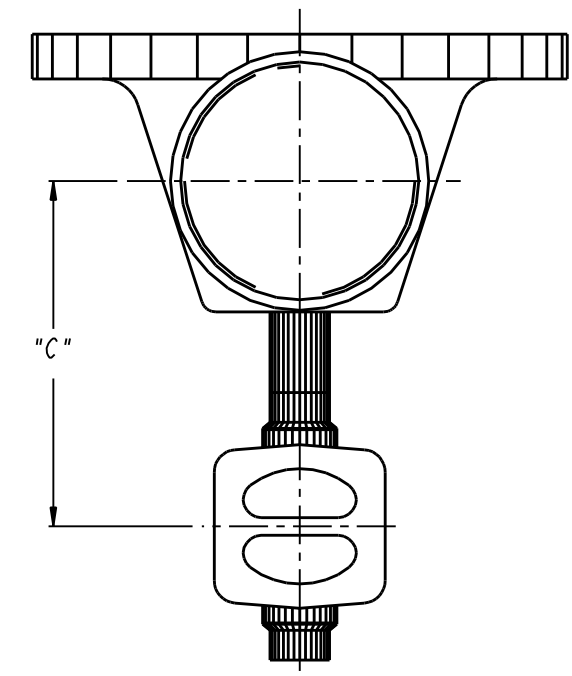
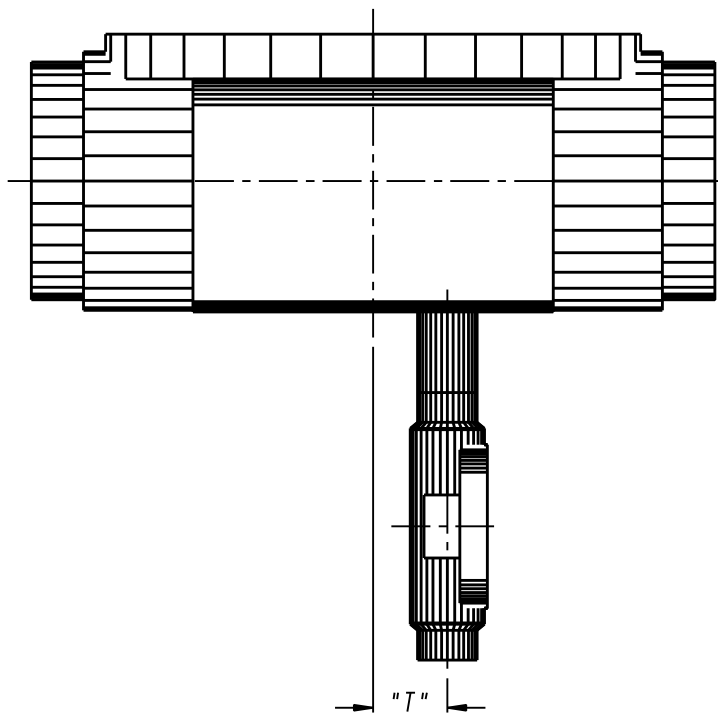

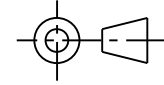


		MAIN VALVE	
		4.00 [100] FORGING	6.00 [150] CASTING
BIO- PURE	"C"	*4.80 [121,9]	-----
	0.25 [6] "T"	0.62 [15,7]	-----
	0.38 [10] "T"	0.69 [17,5]	-----
	0.50 [15] "T"	0.72 [18,3]	-----
PURGE	"C"	*4.80 [121,9]	*5.92 [150,4]
	0.25 [6] "T"	0.62 [15,7]	1.00 [25,4]
	0.38 [10] "T"	0.69 [17,5]	1.06 [26,9]
	0.50 [15] "T"	0.72 [18,3]	1.118 [28,40]
	0.50 [15] "C"	*5.05 [128,3]	*6.12 [155,4]
	"T"	0.72 [18,3]	1.118 [28,40]
	0.75 [20] "C"	*5.82 [147,8]	*6.89 [175,0]
	"T"	0.84 [21,3]	1.322 [33,58]
	1.00 [25] "C"	5.82 [147,8]	*6.89 [175,0]
	"T"	0.97 [24,6]	1.457 [37,01]
	1.50 [40] "C"	6.71 [170,4]	7.78 [197,6]
	"T"	1.22 [31,0]	1.700 [43,18]
	2.00 [50] "C"	6.71 [170,4]	7.78 [197,6]
	"T"	1.47 [37,3]	1.962 [49,83]
	2.50 [65] "C"	10.55 [268,0]	11.62 [295,1]
	"T"	1.72 [43,7]	2.240 [56,90]
3.00 [80] "C"	10.55 [268,0]	11.62 [295,1]	
"T"	1.97 [50,0]	2.692 [68,38]	
4.00 [100] "C"	-----	11.62 [295,1]	
"T"	-----	3.174 [80,62]	

NOTE:
 1. THESE STANDARDS ARE SUITABLE FOR HANDWHEEL AND ADVANTAGE TOPWORKS ONLY, U.S. O.D. TUBE & TRI-CLAMP ONLY.
 * 2. NON-CONFORMANCE TO "6D" RULE.



THIS DOCUMENT IS THE SOLE PROPERTY OF ITT CORPORATION, OR ITS SUBSIDIARY, AND IS PROVIDED SUBJECT TO RETURN. IT IS ISSUED IN STRICT CONFIDENCE AND SHALL NOT BE REPRODUCED, OR COPIED, OR DISCLOSED IN WHOLE OR IN PART, OR USED AS THE BASIS FOR THE MANUFACTURE OR SALES OF APPARATUS OR PARTS TO WHICH THE DOCUMENT RELATES, WITHOUT THE EXPRESS WRITTEN CONSENT OF ITT CORPORATION, OR ITS SUBSIDIARY. THIS LEGEND SHALL BE MARKED ON ANY REPRODUCTION HEREOF, IN WHOLE OR IN PART. ALL RIGHTS TO THE INFORMATION AND DESIGN DISCLOSED HEREIN ARE RESERVED TO ITT CORPORATION, OR ITS SUBSIDIARY.

PURE-FLO ORDER: -	ITEM: -	THIRD ANGLE PROJECTION	UNLESS OTHERWISE NOTED	DATE	BY	FABRICATION STDS	 ITT Pure-Flo www.ittpureflo.com
CUSTOMER: -			INCH MM X : ± 0.06 X : ± 1,5 .X : ± 0.06 .X : ± 1,5 .XX : ± 0.06 .XX : ± 1,5 .XXX : ± 0.02 .XXX : ± 1,5 X/X : ± 1/16 X° : ± 1° X' : ± 1'	DWN 04/06/11	MJM	WEIR 04.00 [100] & 6.00 [150] GMP	
CUSTOMER PO: -		UNLESS OTHERWISE SPECIFIED, ALL DIMENSIONS ARE IN INCHES		CHKD 04/06/11	JRD		C 004754 SHEET 1 OF 1 REV C
OTHER INFO: -				APVD 04/06/11	JRD	MASTER DWG: 004754/C ECN# 10707 ISSUED BY: - CERT BY: -	