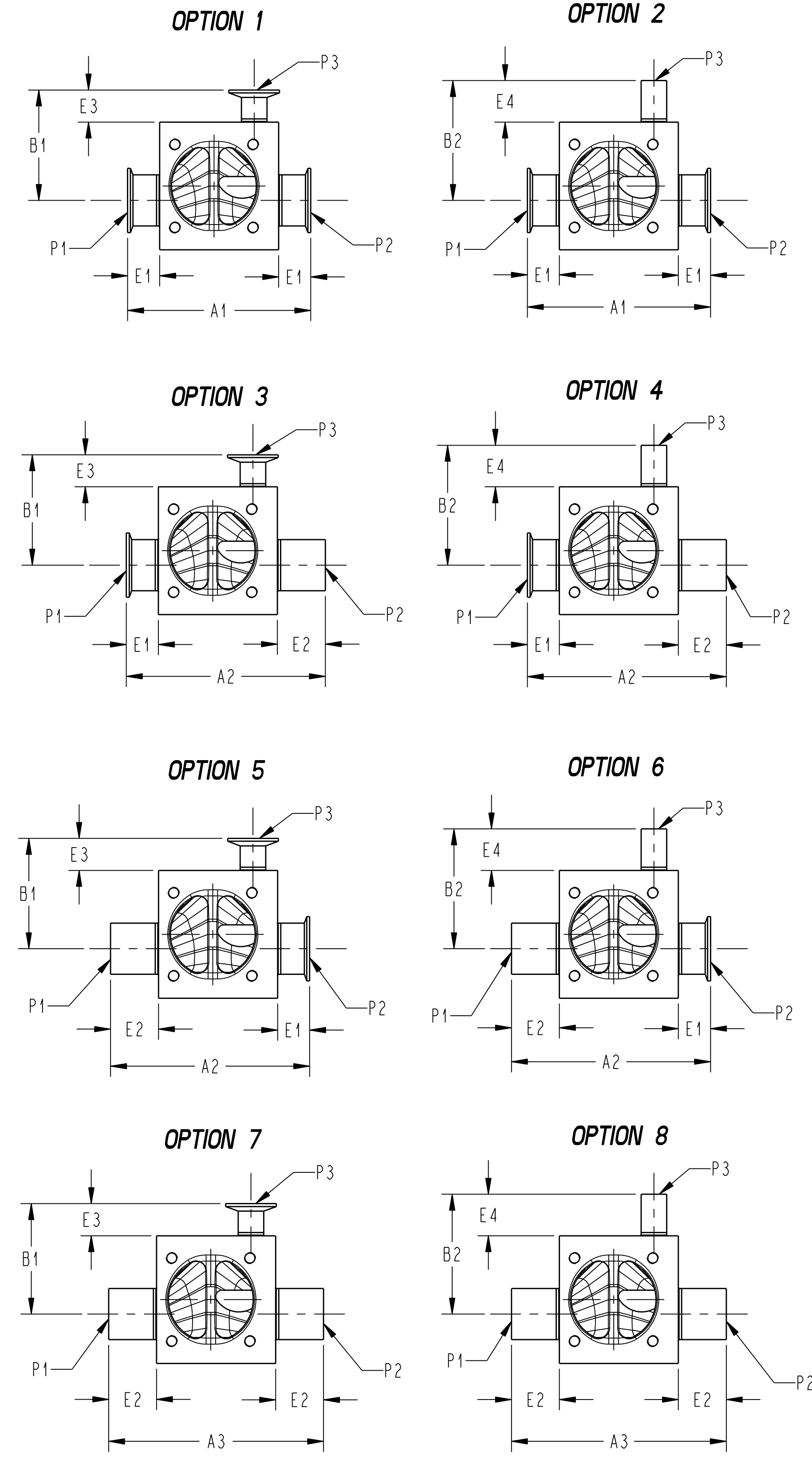
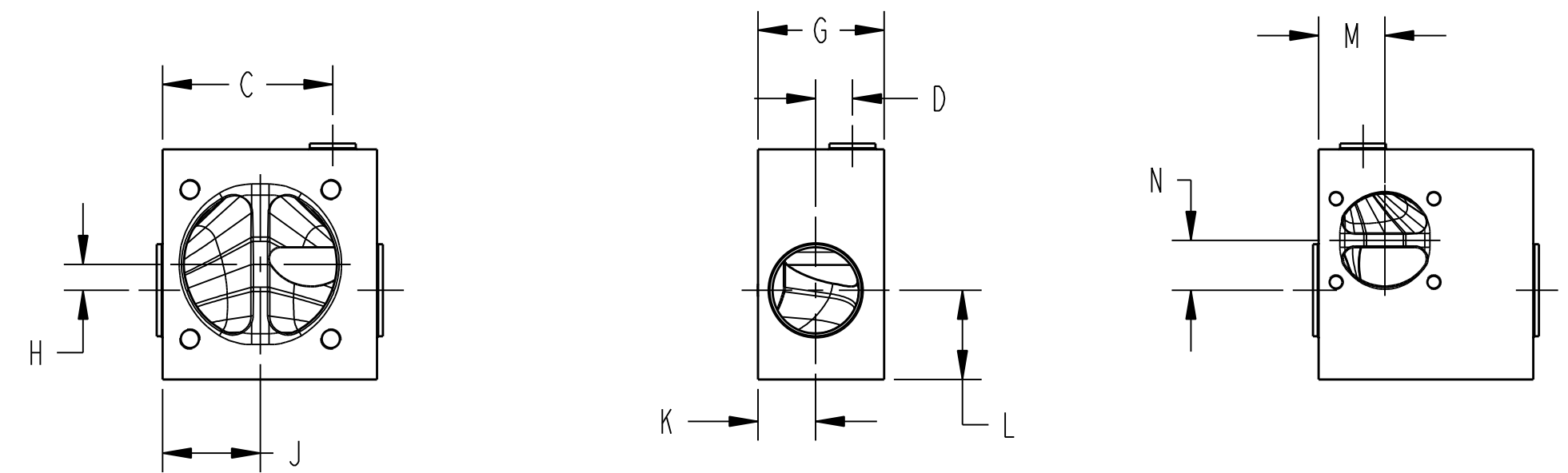


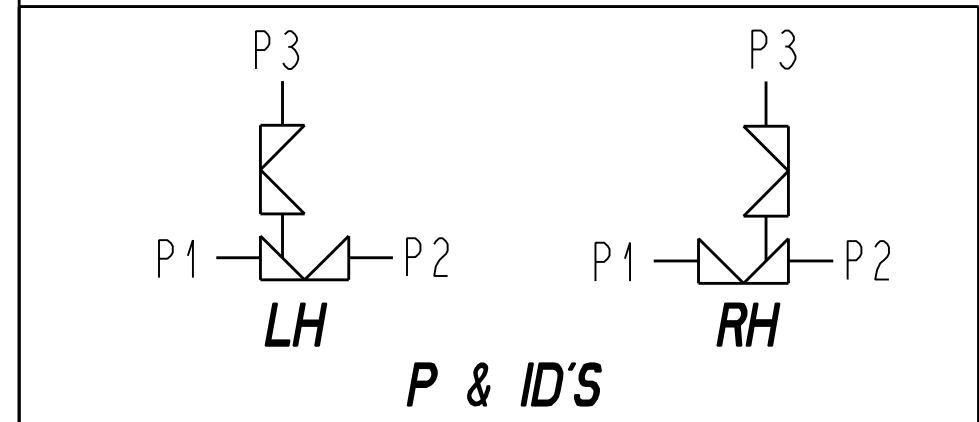
VALVE SIZE (MAIN X PURGE)	A1	A2	A3	B1	B2	C	D	E1	E2	E3	E4	G	H	J	K	L	M	N
1/4" BP X 1/4" BP	(4.25) [108,0]	(4.63) [117,6]	(5.01) [127,3]	(2.24) [57,0]	(2.62) [66,7]	(1.34) [34,0]	(0.14) [3,6]	1.25 [31,8]	1.63 [41,4]	1.25 [31,8]	1.63 [41,4]	0.89 [22,6]	(0.27) [6,8]	(0.63) [15,9]	(0.38) [9,5]	0.41 [10,5]	(0.68) [17,2]	(0.37) [9,4]
1/4" BT X 1/4" BT	(4.48) [113,8]	(4.86) [123,4]	(5.24) [133,1]	(2.36) [59,9]	(2.74) [69,6]	(1.47) [37,2]	(0.17) [4,2]	1.25 [31,8]	1.63 [41,4]	1.25 [31,8]	1.63 [41,4]	0.92 [23,3]	(0.27) [6,8]	(0.75) [19,1]	(0.38) [9,5]	0.51 [13,0]	(0.78) [19,8]	(0.37) [9,4]
3/8" BP X 1/4" BP	(4.25) [108,0]	(4.63) [117,6]	(5.01) [127,3]	(2.18) [55,4]	(2.56) [65,1]	(1.34) [34,0]	(0.14) [3,6]	1.25 [31,8]	1.63 [41,4]	1.25 [31,8]	1.63 [41,4]	0.89 [22,6]	(0.21) [5,2]	(0.63) [15,9]	(0.38) [9,5]	0.47 [12,1]	(0.68) [17,2]	(0.31) [7,8]
3/8" BT X 1/4" BT	(4.48) [113,8]	(4.86) [123,4]	(5.24) [133,1]	(2.30) [58,4]	(2.68) [68,0]	(1.47) [37,2]	(0.17) [4,2]	1.25 [31,8]	1.63 [41,4]	1.25 [31,8]	1.63 [41,4]	0.92 [23,3]	(0.21) [5,2]	(0.75) [19,1]	(0.38) [9,5]	0.58 [14,6]	(0.78) [19,8]	(0.31) [7,8]
3/8" BP X 3/8" BP	(4.25) [108,0]	(4.63) [117,6]	(5.01) [127,3]	(2.18) [55,4]	(2.56) [65,1]	(1.28) [32,5]	(0.14) [3,6]	1.25 [31,8]	1.63 [41,4]	1.25 [31,8]	1.63 [41,4]	0.89 [22,6]	(0.21) [5,2]	(0.63) [15,9]	(0.38) [9,5]	0.47 [12,1]	(0.68) [17,2]	(0.31) [7,8]
3/8" BT X 3/8" BT	(4.48) [113,8]	(4.86) [123,4]	(5.24) [133,1]	(2.30) [58,4]	(2.68) [68,0]	(1.40) [35,6]	(0.17) [4,2]	1.25 [31,8]	1.63 [41,4]	1.25 [31,8]	1.63 [41,4]	0.92 [23,3]	(0.21) [5,2]	(0.75) [19,1]	(0.38) [9,5]	0.58 [14,6]	(0.78) [19,8]	(0.31) [7,8]
1/2" BP X 1/4" BP	(4.25) [108,0]	(4.63) [117,6]	(5.01) [127,3]	(2.15) [54,6]	(2.53) [64,3]	(1.34) [34,0]	(0.14) [3,6]	1.25 [31,8]	1.63 [41,4]	1.25 [31,8]	1.63 [41,4]	0.89 [22,6]	(0.17) [4,4]	(0.63) [15,9]	(0.38) [9,5]	0.51 [12,9]	(0.68) [17,2]	(0.27) [7,0]
1/2" BT X 1/4" BT	(4.48) [113,8]	(4.86) [123,4]	(5.24) [133,1]	(2.26) [57,5]	(2.64) [67,2]	(1.47) [37,2]	(0.17) [4,2]	1.25 [31,8]	1.63 [41,4]	1.25 [31,8]	1.63 [41,4]	0.92 [23,3]	(0.17) [4,4]	(0.75) [19,1]	(0.38) [9,5]	0.61 [15,5]	(0.78) [19,8]	(0.27) [7,0]
1/2" BP X 3/8" BP	(4.25) [108,0]	(4.63) [117,6]	(5.01) [127,3]	(2.15) [54,6]	(2.53) [64,3]	(1.28) [32,5]	(0.14) [3,6]	1.25 [31,8]	1.63 [41,4]	1.25 [31,8]	1.63 [41,4]	0.89 [22,6]	(0.17) [4,4]	(0.63) [15,9]	(0.38) [9,5]	0.51 [12,9]	(0.68) [17,2]	(0.27) [7,0]
1/2" BT X 3/8" BT	(4.48) [113,8]	(4.86) [123,4]	(5.24) [133,1]	(2.26) [57,5]	(2.64) [67,2]	(1.40) [35,6]	(0.17) [4,2]	1.25 [31,8]	1.63 [41,4]	1.25 [31,8]	1.63 [41,4]	0.92 [23,3]	(0.17) [4,4]	(0.75) [19,1]	(0.38) [9,5]	0.61 [15,5]	(0.78) [19,8]	(0.27) [7,0]
1/2" BP X 1/2" BP	(4.25) [108,0]	(4.63) [117,6]	(5.01) [127,3]	(2.15) [54,6]	(2.53) [64,3]	(1.25) [31,6]	(0.14) [3,6]	1.25 [31,8]	1.63 [41,4]	1.25 [31,8]	1.63 [41,4]	0.89 [22,6]	(0.17) [4,4]	(0.63) [15,9]	(0.38) [9,5]	0.51 [12,9]	(0.68) [17,2]	(0.27) [7,0]
1/2" BT X 1/2" BT	(4.48) [113,8]	(4.86) [123,4]	(5.24) [133,1]	(2.26) [57,5]	(2.64) [67,2]	(1.37) [34,8]	(0.17) [4,2]	1.25 [31,8]	1.63 [41,4]	1.25 [31,8]	1.63 [41,4]	0.92 [23,3]	(0.17) [4,4]	(0.75) [19,1]	(0.38) [9,5]	0.61 [15,5]	(0.78) [19,8]	(0.27) [7,0]
1/2" PF X 1/2" BP	(4.60) [116,9]	(4.98) [126,6]	(5.36) [136,2]	(2.55) [64,8]	(2.93) [74,4]	(1.59) [40,5]	(0.30) [7,5]	1.25 [31,8]	1.63 [41,4]	1.25 [31,8]	1.63 [41,4]	1.05 [26,6]	(0.30) [7,6]	(0.94) [23,8]	(0.38) [9,5]	0.70 [17,8]	(0.68) [17,3]	(0.27) [7,0]
1/2" PF X 1/2" BT	(4.70) [119,5]	(5.08) [129,1]	(5.46) [138,8]	(2.55) [64,8]	(2.93) [74,4]	(1.59) [40,5]	(0.30) [7,5]	1.25 [31,8]	1.63 [41,4]	1.25 [31,8]	1.63 [41,4]	1.05 [26,6]	(0.30) [7,6]	(0.94) [23,8]	(0.38) [9,5]	0.70 [17,8]	(0.78) [19,9]	(0.27) [7,0]
1/2" PF X 1/2" PF	(5.06) [128,6]	(5.44) [138,3]	(5.82) [147,9]	(2.57) [65,2]	(2.95) [74,8]	(1.85) [47,0]	(0.30) [7,5]	1.25 [31,8]	1.63 [41,4]	1.25 [31,8]	1.63 [41,4]	1.05 [26,6]	(0.30) [7,6]	(0.94) [23,8]	(0.38) [9,5]	0.70 [17,8]	(1.01) [25,7]	(0.37) [9,4]
3/4" X 1/2" BP	(4.85) [123,2]	(5.23) [132,8]	(5.61) [142,5]	(2.90) [73,7]	(3.28) [83,3]	(1.83) [46,5]	(0.31) [7,7]	1.25 [31,8]	1.63 [41,4]	1.25 [31,8]	1.63 [41,4]	1.21 [30,7]	(0.40) [10,2]	(1.18) [29,8]	(0.53) [13,5]	0.85 [21,6]	(0.69) [17,6]	(0.40) [10,2]
3/4" X 1/2" BT	(4.94) [125,5]	(5.32) [135,1]	(5.70) [144,8]	(2.90) [73,7]	(3.28) [83,3]	(1.83) [46,5]	(0.31) [7,7]	1.25 [31,8]	1.63 [41,4]	1.25 [31,8]	1.63 [41,4]	1.21 [30,7]	(0.40) [10,2]	(1.18) [29,8]	(0.53) [13,5]	0.85 [21,6]	(0.78) [19,8]	(0.40) [10,2]
3/4" X 1/2" PF	(5.29) [134,4]	(5.67) [144,0]	(6.05) [153,7]	(2.90) [73,7]	(3.28) [83,3]	(2.09) [53,0]	(0.37) [9,3]	1.25 [31,8]	1.63 [41,4]	1.25 [31,8]	1.63 [41,4]	1.27 [32,3]	(0.40) [10,2]	(1.18) [29,8]	(0.53) [13,5]	0.85 [21,6]	(1.00) [25,5]	(0.43) [10,9]
3/4" X 3/4"	(5.77) [146,6]	(6.15) [156,2]	(6.53) [165,9]	(2.90) [73,7]	(3.28) [83,3]	(2.42) [61,3]	(0.15) [3,8]	1.25 [31,8]	1.63 [41,4]	1.25 [31,8]	1.63 [41,4]	1.21 [30,7]	(0.40) [10,2]	(1.18) [29,8]	(0.53) [13,5]	0.85 [21,6]	(1.26) [31,9]	(0.43) [10,9]
1" X 1/2" BP	(5.25) [133,4]	(5.63) [143,0]	(6.01) [152,7]	(3.16) [80,3]	(3.54) [90,0]	(2.06) [52,3]	(0.54) [13,8]	1.25 [31,8]	1.63 [41,4]	1.25 [31,8]	1.63 [41,4]	1.61 [40,8]	(0.48) [12,1]	(1.38) [34,9]	(0.69) [17,5]	0.96 [24,5]	(0.87) [22,0]	(0.53) [13,3]
1" X 1/2" BT	(5.25) [133,4]	(5.63) [143,0]	(6.01) [152,7]	(3.16) [80,3]	(3.54) [90,0]	(2.06) [52,3]	(0.54) [13,8]	1.25 [31,8]	1.63 [41,4]	1.25 [31,8]	1.63 [41,4]	1.61 [40,8]	(0.48) [12,1]	(1.38) [34,9]	(0.69) [17,5]	0.96 [24,5]	(0.87) [22,0]	(0.53) [13,3]
1" X 1/2" PF	(5.52) [140,2]	(5.90) [149,9]	(6.28) [159,5]	(3.16) [80,3]	(3.54) [90,0]	(2.32) [58,8]	(0.54) [13,8]	1.25 [31,8]	1.63 [41,4]	1.25 [31,8]	1.63 [41,4]	1.61 [40,8]	(0.48) [12,1]	(1.38) [34,9]	(0.69) [17,5]	0.96 [24,5]	(1.01) [25,5]	(0.56) [14,2]
1" X 3/4"	(6.00) [152,4]	(6.38) [162,1]	(6.76) [171,7]	(3.16) [80,3]	(3.54) [90,0]	(2.66) [67,4]	(0.39) [9,8]	1.25 [31,8]	1.63 [41,4]	1.25 [31,8]	1.63 [41,4]	1.61 [40,8]	(0.48) [12,1]	(1.38) [34,9]	(0.69) [17,5]	0.96 [24,5]	(1.25) [31,6]	(0.56) [14,1]
1" X 1"	(6.38) [161,9]	(6.76) [171,6]	(7.14) [181,2]	(3.21) [81,5]	(3.59) [91,2]	(2.91) [73,9]	(0.23) [5,8]	1.25 [31,8]	1.63 [41,4]	1.25 [31,8]	1.63 [41,4]	1.61 [40,8]	(0.48) [12,1]	(1.38) [34,9]	(0.69) [17,5]	0.96 [24,5]	(1.44) [36,6]	(0.59) [14,9]
1-1/2" X 1/2" BP	(6.13) [155,6]	(6.51) [165,3]	(6.89) [174,9]	(3.82) [96,9]	(4.20) [106,6]	(2.54) [64,4]	(0.63) [15,9]	1.25 [31,8]	1.63 [41,4]	1.25 [31,8]	1.63 [41,4]	2.00 [50,8]	(0.57) [14,4]	(1.81) [46,1]	(1.00) [25,4]	1.44 [36,4]	(1.26) [32,1]	(0.78) [19,7]
1-1/2" X 1/2" BT	(6.13) [155,6]	(6.51) [165,3]	(6.89) [174,9]	(3.82) [96,9]	(4.20) [106,6]	(2.54) [64,4]	(0.64) [16,1]	1.25 [31,8]	1.63 [41,4]	1.25 [31,8]	1.63 [41,4]	2.01 [51,1]	(0.57) [14,4]	(1.81) [46,1]	(1.00) [25,4]	1.44 [36,4]	(1.26) [32,1]	(0.78) [19,7]



END CONNECTION OPTIONS
RIGHT-HAND SHOWN



FRONT VIEW SIDE VIEW BACK VIEW
RIGHT-HAND SHOWN



PURE-FLO ORDER: - ITEM: -
 CUSTOMER: -
 CUSTOMER PO: -
 OTHER INFO: -

THIS DOCUMENT IS THE SOLE PROPERTY OF ITT CORPORATION, OR ITS SUBSIDIARY, AND IS PROVIDED SUBJECT TO RETURN. IT IS ISSUED IN STRICT CONFIDENCE AND SHALL NOT BE REPRODUCED, OR COPIED, OR DISCLOSED IN WHOLE OR IN PART, OR USED AS THE BASIS FOR THE MANUFACTURE OR SALES OF APPARATUS OR PARTS TO WHICH THE DOCUMENT RELATES, WITHOUT THE EXPRESS WRITTEN CONSENT OF ITT CORPORATION, OR ITS SUBSIDIARY. THIS LEGEND SHALL BE MARKED ON ANY REPRODUCTION HEREOF, IN WHOLE OR IN PART. ALL RIGHTS TO THE INFORMATION AND DESIGN DISCLOSED HEREIN ARE RESERVED TO ITT CORPORATION, OR ITS SUBSIDIARY.

THIRD ANGLE PROJECTION

 UNLESS OTHERWISE SPECIFIED, ALL DIMENSIONS ARE IN INCHES

UNLESS OTHERWISE NOTED
 INCH MM
 X : ± 0.06 X : ± 1.5
 XX : ± 0.06 XX : ± 1.5
 XXX : ± 0.02 XXX : ± 0.5
 X^o : ± 15° X^o : ± 15°

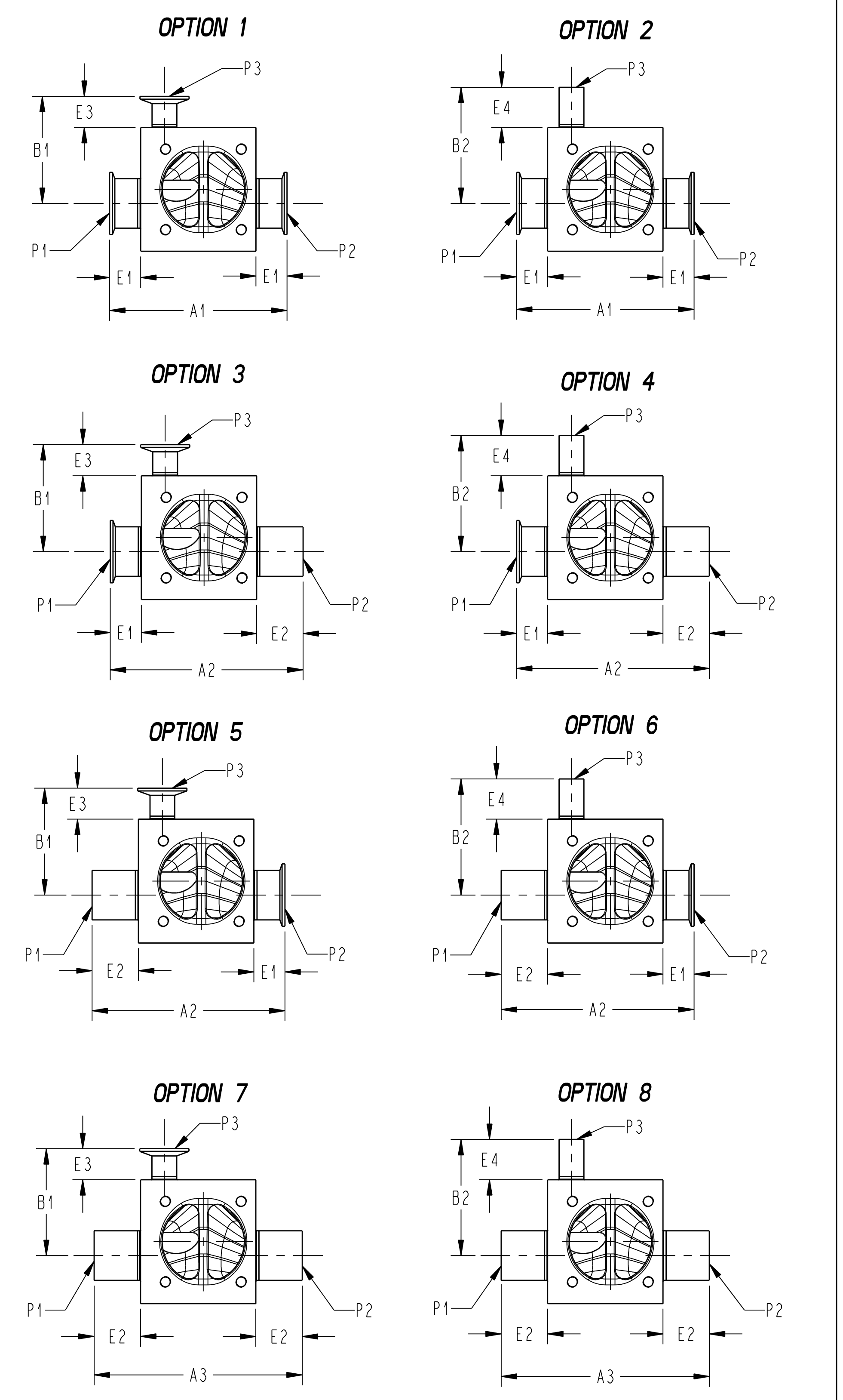
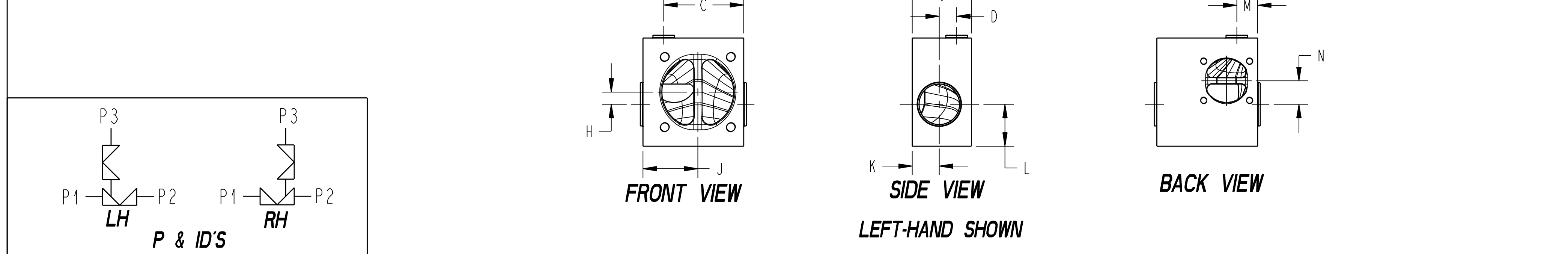
DATE BY
 DWN 10/14/16 JLN
 CHKD 10/14/16 MMA
 APVD 10/14/16 MMA

1/4" TO 3"
 ISG INVERTED
 TABULATED DRAWING
 RIGHT-HAND & LEFT-HAND
 MASTER DWG: A30176- ECN# 16069

ITT Pure-Flo
 www.ittpureflo.com
 SHEET 1 OF 2
 REV -

VALVE SIZE (MAIN X PURGE)	A1	A2	A3	B1	B2	C	D	E1	E2	E3	E4	G	H	J	K	L	M	N
1-1/2" X 1/2" PF	(6.13) [155,6]	(6.51) [165,3]	(6.89) [174,9]	(3.82) [96,9]	(4.20) [106,6]	(2.79) [70,8]	(0.79) [19,9]	1.25 [31,8]	1.63 [41,4]	1.25 [31,8]	1.63 [41,4]	2.16 [54,9]	(0.57) [14,4]	(1.81) [46,1]	(1.00) [25,4]	1.44 [36,4]	(1.14) [29,0]	(0.82) [20,7]
1-1/2" 3/4"	(6.47) [164,3]	(6.85) [173,9]	(7.23) [183,6]	(3.82) [96,9]	(4.20) [106,6]	(3.11) [79,1]	(0.64) [16,3]	1.25 [31,8]	1.63 [41,4]	1.25 [31,8]	1.63 [41,4]	2.17 [55,1]	(0.57) [14,4]	(1.81) [46,1]	(1.00) [25,4]	1.44 [36,4]	(1.26) [31,9]	(0.82) [20,7]
1-1/2" X 1"	(6.85) [174,0]	(7.23) [183,7]	(7.61) [193,3]	(3.82) [96,9]	(4.20) [106,6]	(3.39) [86,1]	(0.56) [14,3]	1.25 [31,8]	1.63 [41,4]	1.25 [31,8]	1.63 [41,4]	2.25 [57,2]	(0.57) [14,4]	(1.81) [46,1]	(1.00) [25,4]	1.44 [36,4]	(1.44) [36,5]	(0.83) [21,2]
1-1/2" X 1-1/2"	(7.76) [197,1]	(8.14) [206,7]	(8.52) [216,4]	(3.94) [100,1]	(4.32) [109,7]	(3.82) [97,0]	(0.22) [5,6]	1.25 [31,8]	1.63 [41,4]	1.25 [31,8]	1.63 [41,4]	2.22 [56,4]	(0.57) [14,4]	(1.81) [46,1]	(1.00) [25,4]	1.44 [36,4]	(2.01) [50,9]	(0.87) [22,1]
2" X 1/2" BP	(6.75) [171,5]	(7.38) [187,5]	(8.01) [203,5]	(4.32) [109,6]	(4.70) [119,3]	(2.85) [72,3]	(0.88) [22,2]	1.25 [31,8]	1.88 [47,8]	1.25 [31,8]	1.63 [41,4]	2.50 [63,5]	(0.57) [14,4]	(2.13) [54,0]	(1.25) [31,8]	1.94 [49,2]	(1.58) [40,0]	(1.03) [26,0]
2" X 1/2" BT	(6.75) [171,5]	(7.38) [187,5]	(8.01) [203,5]	(4.32) [109,6]	(4.70) [119,3]	(2.85) [72,3]	(0.88) [22,2]	1.25 [31,8]	1.88 [47,8]	1.25 [31,8]	1.63 [41,4]	2.50 [63,5]	(0.57) [14,4]	(2.13) [54,0]	(1.25) [31,8]	1.94 [49,2]	(1.58) [40,0]	(1.03) [26,0]
2" X 1/2" PF	(6.75) [171,5]	(7.38) [187,5]	(8.01) [203,5]	(4.32) [109,6]	(4.70) [119,3]	(3.10) [78,7]	(0.94) [23,7]	1.25 [31,8]	1.88 [47,8]	1.25 [31,8]	1.63 [41,4]	2.56 [65,0]	(0.57) [14,4]	(2.13) [54,0]	(1.25) [31,8]	1.94 [49,2]	(1.45) [36,9]	(1.06) [26,9]
2" X 3/4"	(6.78) [172,2]	(7.41) [188,2]	(8.04) [204,2]	(4.32) [109,6]	(4.70) [119,3]	(3.43) [87,0]	(0.86) [21,8]	1.25 [31,8]	1.88 [47,8]	1.25 [31,8]	1.63 [41,4]	2.64 [67,1]	(0.57) [14,4]	(2.13) [54,0]	(1.25) [31,8]	1.94 [49,2]	(1.26) [31,9]	(1.06) [26,9]
2" X 1"	(7.16) [181,9]	(7.79) [197,9]	(8.42) [213,9]	(4.32) [109,6]	(4.70) [119,3]	(3.70) [93,9]	(0.80) [20,4]	1.25 [31,8]	1.88 [47,8]	1.25 [31,8]	1.63 [41,4]	2.74 [69,6]	(0.57) [14,4]	(2.13) [54,0]	(1.25) [31,8]	1.94 [49,2]	(1.44) [36,5]	(1.09) [27,6]
2" X 1-1/2"	(8.07) [205,0]	(8.70) [221,0]	(9.33) [237,0]	(4.32) [109,6]	(4.70) [119,3]	(4.13) [104,9]	(0.56) [14,3]	1.25 [31,8]	1.88 [47,8]	1.25 [31,8]	1.63 [41,4]	2.81 [71,5]	(0.57) [14,4]	(2.13) [54,0]	(1.25) [31,8]	1.94 [49,2]	(2.01) [50,9]	(1.12) [28,5]
2" X 2"	(8.81) [223,9]	(9.44) [239,9]	(10.07) [255,9]	(4.50) [114,3]	(5.13) [130,3]	(4.38) [111,2]	(0.32) [8,2]	1.25 [31,8]	1.88 [47,8]	1.25 [31,8]	1.88 [47,8]	2.82 [71,7]	(0.57) [14,4]	(2.13) [54,0]	(1.25) [31,8]	1.94 [49,2]	(2.50) [63,5]	(1.12) [28,5]
2-1/2" X 1/2" BP	(8.63) [219,1]	(9.26) [235,1]	(9.89) [251,1]	(5.97) [151,7]	(6.35) [161,3]	(3.97) [100,8]	(1.00) [25,4]	1.25 [31,8]	1.88 [47,8]	1.25 [31,8]	1.63 [41,4]	2.88 [73,0]	(1.03) [26,3]	(3.06) [77,8]	(1.50) [38,1]	2.65 [67,4]	(2.33) [59,2]	(1.28) [32,4]
2-1/2" X 1/2" BT	(8.63) [219,1]	(9.26) [235,1]	(9.89) [251,1]	(5.97) [151,7]	(6.35) [161,3]	(3.97) [100,8]	(1.00) [25,4]	1.25 [31,8]	1.88 [47,8]	1.25 [31,8]	1.63 [41,4]	2.88 [73,0]	(1.03) [26,3]	(3.06) [77,8]	(1.50) [38,1]	2.65 [67,4]	(2.33) [59,2]	(1.28) [32,4]
2-1/2" X 1/2" PF	(8.63) [219,1]	(9.26) [235,1]	(9.89) [251,1]	(5.97) [151,7]	(6.35) [161,3]	(4.22) [107,3]	(1.13) [28,6]	1.25 [31,8]	1.88 [47,8]	1.25 [31,8]	1.63 [41,4]	3.00 [76,2]	(1.03) [26,3]	(3.06) [77,8]	(1.50) [38,1]	2.65 [67,4]	(2.20) [55,9]	(1.31) [33,3]
2-1/2" X 3/4"	(8.63) [219,1]	(9.26) [235,1]	(9.89) [251,1]	(5.97) [151,7]	(6.35) [161,3]	(4.55) [115,5]	(1.02) [25,9]	1.25 [31,8]	1.88 [47,8]	1.25 [31,8]	1.63 [41,4]	3.05 [77,5]	(1.03) [26,3]	(3.06) [77,8]	(1.50) [38,1]	2.65 [67,4]	(1.98) [50,2]	(1.31) [33,3]
2-1/2" X 1"	(8.63) [219,1]	(9.26) [235,1]	(9.89) [251,1]	(5.97) [151,7]	(6.35) [161,3]	(4.82) [122,5]	(1.00) [25,5]	1.25 [31,8]	1.88 [47,8]	1.25 [31,8]	1.63 [41,4]	3.19 [81,0]	(1.03) [26,3]	(3.06) [77,8]	(1.50) [38,1]	2.65 [67,4]	(1.78) [45,1]	(1.34) [33,9]
2-1/2" X 1-1/2"	(9.19) [233,4]	(9.82) [249,4]	(10.45) [265,4]	(5.97) [151,7]	(6.35) [161,3]	(5.25) [133,4]	(0.82) [20,9]	1.25 [31,8]	1.88 [47,8]	1.25 [31,8]	1.63 [41,4]	3.32 [84,4]	(1.03) [26,3]	(3.06) [77,8]	(1.50) [38,1]	2.65 [67,4]	(2.00) [50,8]	(1.37) [34,8]
2-1/2" X 2"	(9.94) [252,4]	(10.57) [268,4]	(11.20) [284,4]	(5.97) [151,7]	(6.60) [167,7]	(5.50) [139,8]	(0.65) [16,5]	1.25 [31,8]	1.88 [47,8]	1.25 [31,8]	1.88 [47,8]	3.40 [86,4]	(1.03) [26,3]	(3.06) [77,8]	(1.50) [38,1]	2.65 [67,4]	(2.50) [63,5]	(1.37) [34,8]
2-1/2" X 2-1/2"	(11.85) [300,9]	(12.48) [316,9]	(13.11) [332,9]	(5.97) [151,7]	(6.60) [167,7]	(6.69) [170,0]	(0.53) [13,5]	1.25 [31,8]	1.88 [47,8]	1.25 [31,8]	1.88 [47,8]	3.53 [89,7]	(1.03) [26,3]	(3.06) [77,8]	(1.50) [38,1]	2.65 [67,4]	(3.69) [93,7]	(1.56) [39,6]
3" X 1/2" BP *	(8.63) [219,1]	(9.26) [235,1]	(9.89) [251,1]	(5.72) [145,3]	(6.10) [155,0]	(3.97) [100,8]	(1.25) [31,8]	1.25 [31,8]	1.88 [47,8]	1.25 [31,8]	1.63 [41,4]	3.38 [85,7]	(0.78) [19,9]	(3.06) [77,8]	(1.75) [44,5]	2.90 [73,8]	(2.33) [59,2]	(1.53) [38,7]
3" X 1/2" BT *	(8.63) [219,1]	(9.26) [235,1]	(9.89) [251,1]	(5.72) [145,3]	(6.10) [155,0]	(3.97) [100,8]	(1.25) [31,8]	1.25 [31,8]	1.88 [47,8]	1.25 [31,8]	1.63 [41,4]	3.38 [85,7]	(0.78) [19,9]	(3.06) [77,8]	(1.75) [44,5]	2.90 [73,8]	(2.33) [59,2]	(1.03) [26,0]
3" X 1/2" PF *	(8.63) [219,1]	(9.26) [235,1]	(9.89) [251,1]	(5.72) [145,3]	(6.10) [155,0]	(4.22) [107,3]	(1.25) [31,8]	1.25 [31,8]	1.88 [47,8]	1.25 [31,8]	1.63 [41,4]	3.38 [85,7]	(0.78) [19,9]	(3.06) [77,8]	(1.75) [44,5]	2.90 [73,8]	(2.20) [55,9]	(1.56) [39,6]
3" X 3/4"	(8.63) [219,1]	(9.26) [235,1]	(9.89) [251,1]	(5.72) [145,3]	(6.10) [155,0]	(4.55) [115,5]	(1.17) [29,7]	1.25 [31,8]	1.88 [47,8]	1.25 [31,8]	1.63 [41,4]	3.45 [87,6]	(0.78) [19,9]	(3.06) [77,8]	(1.75) [44,5]	2.90 [73,8]	(1.98) [50,2]	(1.56) [39,6]
3" X 1"	(8.63) [219,1]	(9.26) [235,1]	(9.89) [251,1]	(5.72) [145,3]	(6.10) [155,0]	(4.82) [122,5]	(1.21) [30,8]	1.25 [31,8]	1.88 [47,8]	1.25 [31,8]	1.63 [41,4]	3.65 [92,7]	(0.78) [19,9]	(3.06) [77,8]	(1.75) [44,5]	2.90 [73,8]	(1.78) [45,1]	(1.59) [40,3]
3" X 1-1/2"	(9.19) [233,4]	(9.82) [249,4]	(10.45) [265,4]	(5.72) [145,3]	(6.10) [155,0]	(5.25) [133,4]	(1.04) [26,4]	1.25 [31,8]	1.88 [47,8]	1.25 [31,8]	1.63 [41,4]	3.79 [96,2]	(0.78) [19,9]	(3.06) [77,8]	(1.75) [44,5]	2.90 [73,8]	(2.00) [50,8]	(1.62) [41,2]
3" X 2"	(9.94) [252,4]	(10.57) [268,4]	(11.20) [284,4]	(6.21) [157,7]	(6.84) [173,7]	(5.50) [139,8]	(0.91) [23,0]	1.25 [31,8]	1.88 [47,8]	1.25 [31,8]	1.88 [47,8]	3.91 [99,2]	(0.78) [19,9]	(3.06) [77,8]	(1.75) [44,5]	2.90 [73,8]	(2.50) [63,5]	(1.62) [41,2]
3" X 2-1/2"	(11.85) [300,9]	(12.48) [316,9]	(13.11) [332,9]	(6.13) [155,7]	(6.76) [171,7]	(6.69) [170,0]	(0.89) [22,7]	1.25 [31,8]	1.88 [47,8]	1.25 [31,8]	1.88 [47,8]	4.14 [105,2]	(0.78) [19,9]	(3.06) [77,8]	(1.75) [44,5]	2.90 [73,8]	(3.69) [93,7]	(1.81) [45,9]
3" X 3"	(11.85) [300,9]	(12.48) [316,9]	(13.11) [332,9]	(6.13) [155,7]	(6.76) [171,7]	(6.44) [163,6]	(0.64) [16,4]	1.25 [31,8]	1.88 [47,8]	1.25 [31,8]	1.88 [47,8]	4.14 [105,3]	(0.78) [19,9]	(3.06) [77,8]	(1.75) [44,5]	2.90 [73,8]	(3.69) [93,7]	(1.81) [45,9]

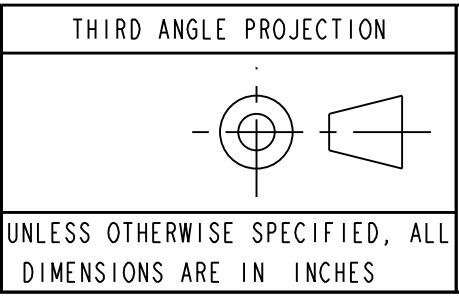
* DOES NOT MEET 2D REQUIREMENT.



END CONNECTION OPTIONS
LEFT-HAND SHOWN

PURE-FLO ORDER: _____ ITEM: _____
 CUSTOMER: _____
 CUSTOMER PO: _____
 OTHER INFO: _____

THIS DOCUMENT IS THE SOLE PROPERTY OF ITT CORPORATION, OR ITS SUBSIDIARY, AND IS PROVIDED SUBJECT TO RETURN. IT IS ISSUED IN STRICT CONFIDENCE AND SHALL NOT BE REPRODUCED, OR COPIED, OR DISCLOSED IN WHOLE OR IN PART, OR USED AS THE BASIS FOR THE MANUFACTURE OR SALES OF APPARATUS OR PARTS TO WHICH THE DOCUMENT RELATES, WITHOUT THE EXPRESS WRITTEN CONSENT OF ITT CORPORATION, OR ITS SUBSIDIARY. THIS LEGEND SHALL BE MARKED ON ANY REPRODUCTION HEREOF, IN WHOLE OR IN PART. ALL RIGHTS TO THE INFORMATION AND DESIGN DISCLOSED HEREIN ARE RESERVED TO ITT CORPORATION, OR ITS SUBSIDIARY.



UNLESS OTHERWISE NOTED	
INCH	MM
X : ± 0.06	X : ± 1.5
.XX : ± 0.06	.XX : ± 1.5
.XXX : ± 0.02	.XXX : ± 0.5
XXXX : ± 0.01	XXXX : ± 0.25

DATE	BY	DESCRIPTION
10/14/16	JLN	1/4" TO 3" ISG INVERTED TABULATED DRAWING
10/14/16	MMA	RIGHT-HAND & LEFT-HAND
10/14/16	MMA	MASTER DWG.

ITT Pure-Flo
www.ittpureflo.com

D A30176
SHEET 2 OF 2

ISSUE BY: _____ CERT BY: _____