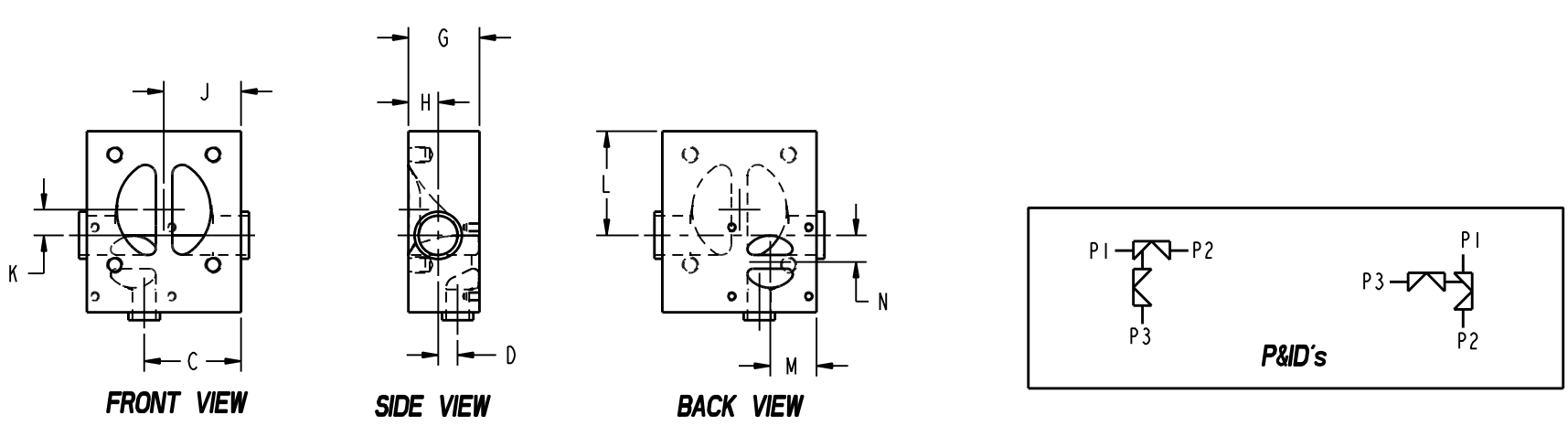
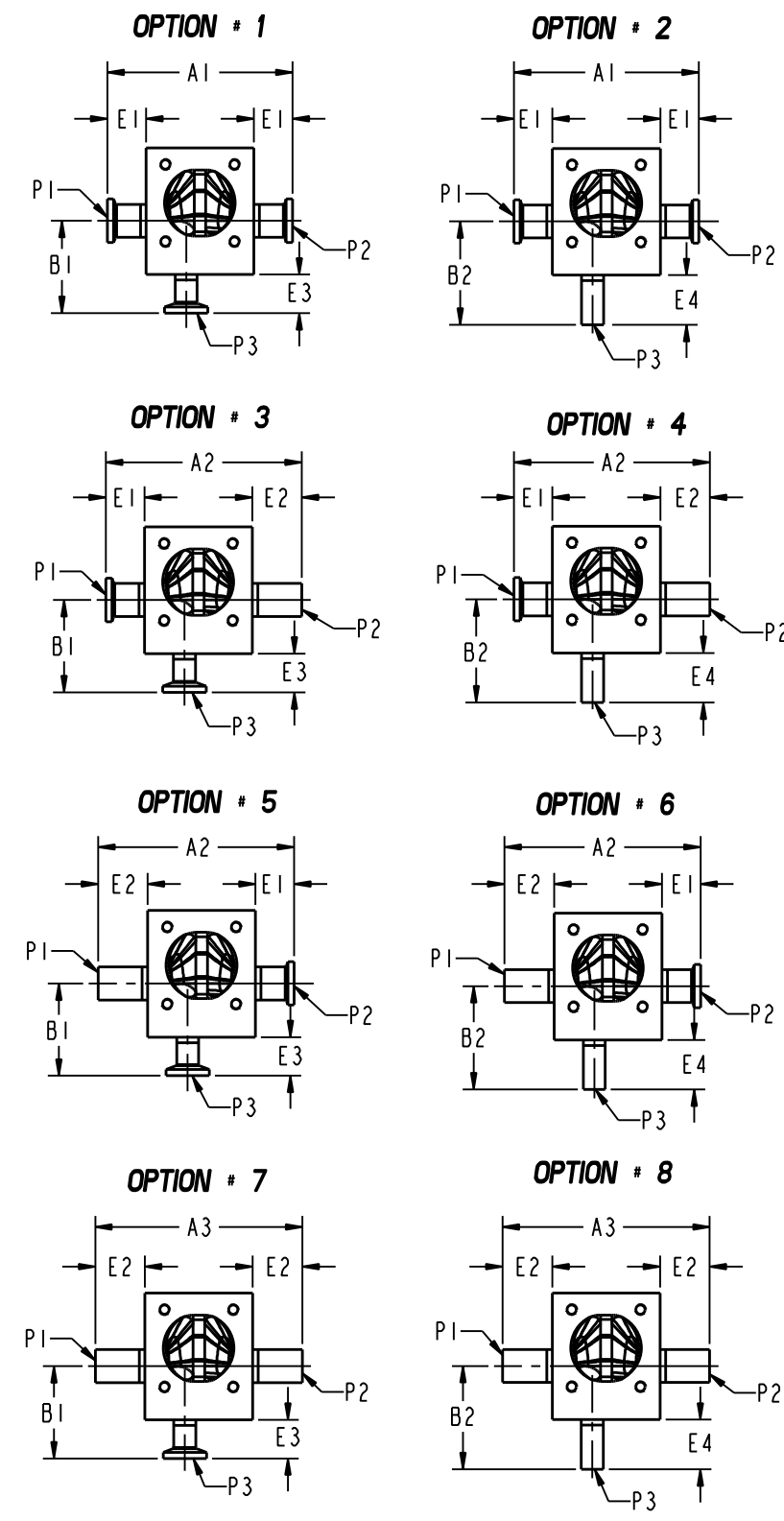


VALVE SIZE (MAIN x PURGE)	DIMENSIONS NOTE: ALL DIMENSIONS IN BRACKETS [] ARE MILLIMETERS																		DRAWING
	A1	A2	A3	B1	B2	C	D	E1	E2	E3	E4	G	H	J	K	M	N	L	
1/2"BT x 1/2"BT	3.25 [82.6]	4.25 [108.0]	5.25 [133.4]	1.67 [42.4]	2.67 [67.8]	1.05 [26.7]	0.09 [2.29]	0.63 [15.9]	1.63 [41.3]	0.63 [15.9]	1.63 [41.3]	0.78 [19.8]	0.35 [8.9]	0.75 [19.1]	0.17 [4.3]	0.78 [19.8]	0.30 [7.6]	0.96 [24.4]	M10171
1/2"PF x 1/2"BT	3.53 [89.7]	4.53 [115.1]	5.53 [140.5]	1.67 [42.4]	2.67 [67.8]	1.32 [33.5]	0.12 [3.1]	0.63 [15.9]	1.63 [41.3]	0.63 [15.9]	1.63 [41.3]	0.81 [20.6]	0.35 [8.9]	1.00 [25.4]	0.29 [7.4]	0.80 [20.3]	0.30 [7.6]	1.29 [32.6]	M10175
1/2"PF x 1/2"PF	3.85 [97.8]	4.85 [123.2]	5.85 [148.6]	1.94 [49.3]	2.94 [74.7]	1.32 [33.5]	0.19 [4.8]	0.63 [15.9]	1.63 [41.3]	0.63 [15.9]	1.63 [41.3]	0.88 [22.4]	0.35 [8.9]	1.00 [25.4]	0.29 [7.4]	1.00 [25.4]	0.32 [8.1]	1.29 [32.6]	M10176
3/4" x 1/2"BT	3.70 [94.0]	4.70 [119.4]	5.70 [144.8]	1.85 [47.0]	2.85 [72.4]	1.54 [39.1]	0.31 [7.9]	0.63 [15.9]	1.63 [41.3]	0.63 [15.9]	1.63 [41.3]	1.13 [28.7]	0.47 [11.9]	1.22 [31.0]	0.41 [10.4]	0.91 [23.1]	0.42 [10.7]	1.66 [42.0]	M10178
3/4" x 1/2"PF	4.07 [103.4]	5.07 [128.8]	6.07 [154.2]	2.07 [52.6]	3.07 [78.0]	1.54 [39.1]	0.40 [10.2]	0.63 [15.9]	1.63 [41.3]	0.63 [15.9]	1.63 [41.3]	1.22 [31.0]	0.47 [11.9]	1.22 [31.0]	0.41 [10.4]	1.00 [25.4]	0.44 [11.2]	1.66 [42.0]	M10179
3/4" x 3/4"	4.57 [116.1]	5.57 [141.5]	6.57 [166.9]	2.28 [57.9]	3.28 [83.3]	1.66 [42.2]	0.22 [5.6]	0.63 [15.9]	1.63 [41.3]	0.63 [15.9]	1.63 [41.3]	1.16 [29.5]	0.47 [11.9]	1.22 [31.0]	0.41 [10.4]	1.25 [31.8]	0.44 [11.2]	1.66 [42.0]	M10180
1" x 1/2"BT	5.25 [133.4]	5.63 [143.0]	6.00 [152.4]	1.96 [49.8]	2.96 [75.2]	1.70 [43.2]	0.47 [11.9]	1.25 [31.8]	1.63 [41.3]	0.63 [15.9]	1.63 [41.3]	1.75 [44.5]	0.94 [23.9]	1.38 [35.1]	0.48 [12.2]	0.87 [22.1]	0.55 [14.0]	1.92 [48.8]	M10182
1" x 1/2"PF	5.50 [139.7]	5.87 [149.1]	6.25 [158.8]	2.19 [55.6]	3.19 [81.0]	1.71 [43.4]	0.56 [14.2]	1.25 [31.8]	1.63 [41.3]	0.63 [15.9]	1.63 [41.3]	1.84 [46.7]	0.94 [23.9]	1.38 [35.1]	0.48 [12.2]	1.00 [25.4]	0.57 [14.5]	1.92 [48.8]	M10183
1" x 3/4"	5.93 [150.6]	6.30 [160.0]	6.68 [169.7]	2.41 [61.2]	3.41 [86.6]	1.84 [46.7]	0.41 [10.4]	1.25 [31.8]	1.63 [41.3]	0.63 [15.9]	1.63 [41.3]	1.81 [46.0]	0.94 [23.9]	1.38 [35.1]	0.48 [12.2]	1.19 [30.2]	0.57 [14.5]	1.92 [48.8]	M10184
1" x 1"	6.41 [162.8]	6.79 [172.5]	7.16 [181.9]	3.24 [82.3]	3.61 [91.7]	1.96 [49.8]	0.02 [0.5]	1.25 [31.8]	1.63 [41.3]	1.25 [31.8]	1.63 [41.3]	1.85 [47.0]	0.94 [23.9]	1.38 [35.1]	0.48 [12.2]	1.47 [37.3]	0.59 [15.0]	1.92 [48.8]	M10185
1-1/2" x 1/2"BT	6.13 [155.7]	6.50 [165.1]	6.88 [174.8]	2.19 [55.6]	3.19 [81.0]	2.19 [55.6]	0.66 [16.8]	1.25 [31.8]	1.63 [41.3]	0.63 [15.9]	1.63 [41.3]	2.13 [54.1]	1.12 [28.4]	1.81 [46.0]	0.57 [14.5]	1.27 [32.3]	0.80 [20.3]	2.57 [65.2]	M10187
1-1/2" x 1/2"PF	6.13 [155.7]	6.50 [165.1]	6.88 [174.8]	2.44 [62.0]	3.44 [87.4]	2.19 [55.6]	0.81 [20.6]	1.25 [31.8]	1.63 [41.3]	0.63 [15.9]	1.63 [41.3]	2.28 [57.9]	1.12 [28.4]	1.81 [46.0]	0.57 [14.5]	1.15 [29.2]	0.80 [20.3]	2.57 [65.2]	M10188
1-1/2" x 3/4"	6.47 [164.3]	6.84 [173.7]	7.22 [183.4]	2.69 [68.3]	3.69 [93.7]	2.31 [58.7]	0.72 [18.3]	1.25 [31.8]	1.63 [41.3]	0.63 [15.9]	1.63 [41.3]	2.31 [58.7]	1.12 [28.4]	1.81 [46.0]	0.57 [14.5]	1.25 [31.8]	0.82 [20.8]	2.57 [65.2]	M10189
1-1/2" x 1"	6.86 [174.2]	7.23 [183.6]	7.61 [193.3]	3.46 [87.9]	3.84 [97.5]	2.44 [62.0]	0.32 [8.1]	1.25 [31.8]	1.63 [41.3]	1.25 [31.8]	1.63 [41.3]	2.38 [58.7]	1.12 [28.4]	1.81 [46.0]	0.57 [14.5]	1.44 [36.6]	0.84 [21.3]	2.57 [65.2]	M10190
1-1/2" x 1-1/2"	7.75 [196.9]	8.13 [206.5]	8.50 [215.9]	3.94 [100.1]	4.31 [109.5]	2.69 [68.3]	0.10 [2.5]	1.25 [31.8]	1.63 [41.3]	1.25 [31.8]	1.63 [41.3]	2.34 [59.4]	1.12 [28.4]	1.81 [46.0]	0.57 [14.5]	2.00 [50.8]	0.88 [22.4]	2.57 [65.2]	M10191
2" x 1/2"BT	6.75 [171.5]	7.38 [187.5]	8.00 [203.2]	2.56 [65.0]	3.56 [90.4]	2.50 [63.5]	0.85 [21.6]	1.25 [31.8]	1.88 [47.6]	0.63 [15.9]	1.63 [41.3]	2.63 [66.8]	1.44 [36.6]	2.13 [54.1]	0.57 [14.5]	1.58 [40.1]	1.04 [26.4]	3.07 [77.9]	M10193
2" x 1/2"PF	6.75 [171.5]	7.38 [187.5]	8.00 [203.2]	2.69 [68.3]	3.69 [93.7]	2.50 [63.5]	0.97 [24.6]	1.25 [31.8]	1.88 [47.6]	0.63 [15.9]	1.63 [41.3]	2.75 [69.9]	1.44 [36.6]	2.13 [54.1]	0.57 [14.5]	1.47 [37.3]	1.06 [26.9]	3.07 [77.9]	M10194
2" x 3/4"	6.78 [172.2]	7.41 [188.2]	8.03 [204.0]	2.87 [72.9]	3.87 [98.3]	2.63 [66.8]	0.91 [23.1]	1.25 [31.8]	1.88 [47.6]	0.63 [15.9]	1.63 [41.3]	2.81 [71.4]	1.44 [36.6]	2.13 [54.1]	0.57 [14.5]	1.25 [31.8]	1.07 [27.2]	3.07 [77.9]	M10195
2" x 1"	7.19 [182.6]	7.81 [198.4]	8.44 [214.4]	3.71 [94.2]	4.09 [103.9]	2.75 [69.9]	0.57 [14.5]	1.25 [31.8]	1.88 [47.6]	1.25 [31.8]	1.63 [41.3]	2.94 [74.7]	1.44 [36.6]	2.13 [54.1]	0.57 [14.5]	1.46 [37.1]	1.09 [27.7]	3.07 [77.9]	M10196
2" x 1-1/2"	8.07 [205.0]	8.69 [220.7]	9.32 [236.7]	4.19 [106.4]	4.56 [115.8]	3.00 [76.2]	0.44 [11.2]	1.25 [31.8]	1.88 [47.6]	1.25 [31.8]	1.63 [41.3]	3.00 [76.2]	1.44 [36.6]	2.13 [54.1]	0.57 [14.5]	2.00 [50.8]	1.12 [28.5]	3.07 [77.9]	M10197
2" x 2"	8.81 [223.8]	9.44 [239.8]	10.06 [255.5]	4.50 [114.3]	5.12 [130.0]	3.25 [82.6]	0.13 [3.3]	1.25 [31.8]	1.88 [47.6]	1.25 [31.8]	1.88 [47.6]	3.00 [76.2]	1.44 [36.6]	2.13 [54.1]	0.57 [14.5]	2.50 [63.5]	1.13 [28.7]	3.07 [77.9]	M10198



END CONNECTION OPTIONS

PURE-FLO ORDER: -	ITEM: -	THIS DOCUMENT IS THE SOLE PROPERTY OF ITT CORPORATION, OR ITS SUBSIDIARY, AND IS PROVIDED SUBJECT TO RETURN. IT IS ISSUED IN STRICT CONFIDENCE AND SHALL NOT BE REPRODUCED, OR COPIED, OR DISCLOSED IN WHOLE OR IN PART, OR USED AS THE BASIS FOR THE MANUFACTURE OR SALES OF APPARATUS OR PARTS TO WHICH THE DOCUMENT RELATES, WITHOUT THE EXPRESS WRITTEN CONSENT OF ITT CORPORATION, OR ITS SUBSIDIARY. THIS LEGEND SHALL BE MARKED ON ANY REPRODUCTION HEREOF, IN WHOLE OR IN PART. ALL RIGHTS TO THE INFORMATION AND DESIGN DISCLOSED HEREIN ARE RESERVED TO ITT CORPORATION, OR ITS SUBSIDIARY.	THIRD ANGLE PROJECTION	UNLESS OTHERWISE NOTED	DATE	BY	TABULATED ISG VALVE ASSY. (LH) 1/2" BT THRU 2" PF	 Pure-Flo www.ittpureflo.com
CUSTOMER: -	CUSTOMER PO: -	OTHER INFO: -	 UNLESS OTHERWISE SPECIFIED, ALL DIMENSIONS ARE IN INCHES	INCH MM X: ± 0.06 XX: ± 0.06 XXX: ± 0.02 XXX: ± 1/16 X: ± 1.3 XX: ± 1.5 XXX: ± 1.5 X: ± 1.3 XX: ± 1.5 XXX: ± 1.5	DWN 01/04/12	MJM		