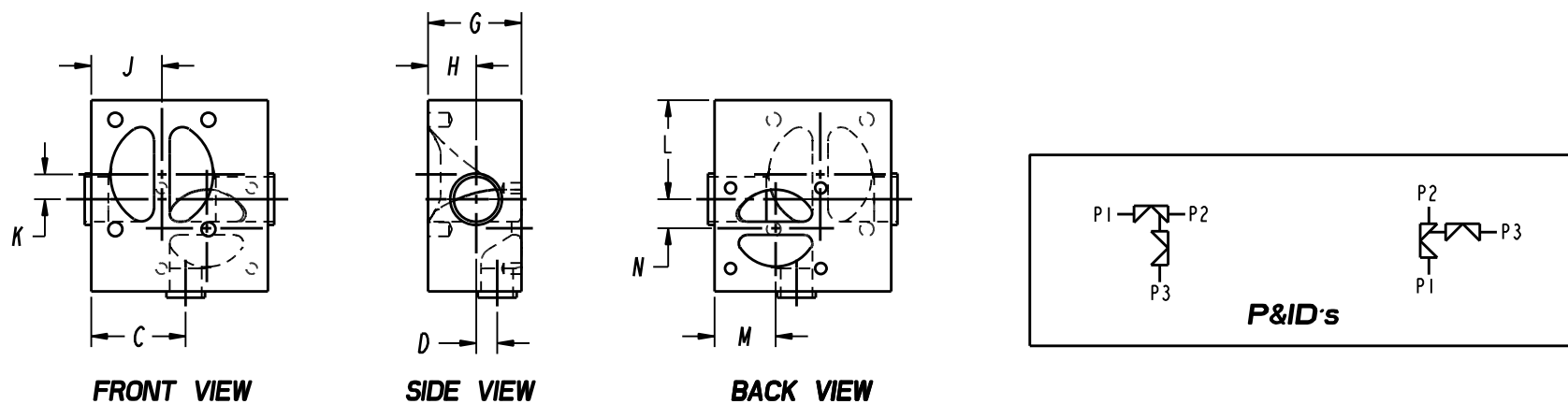
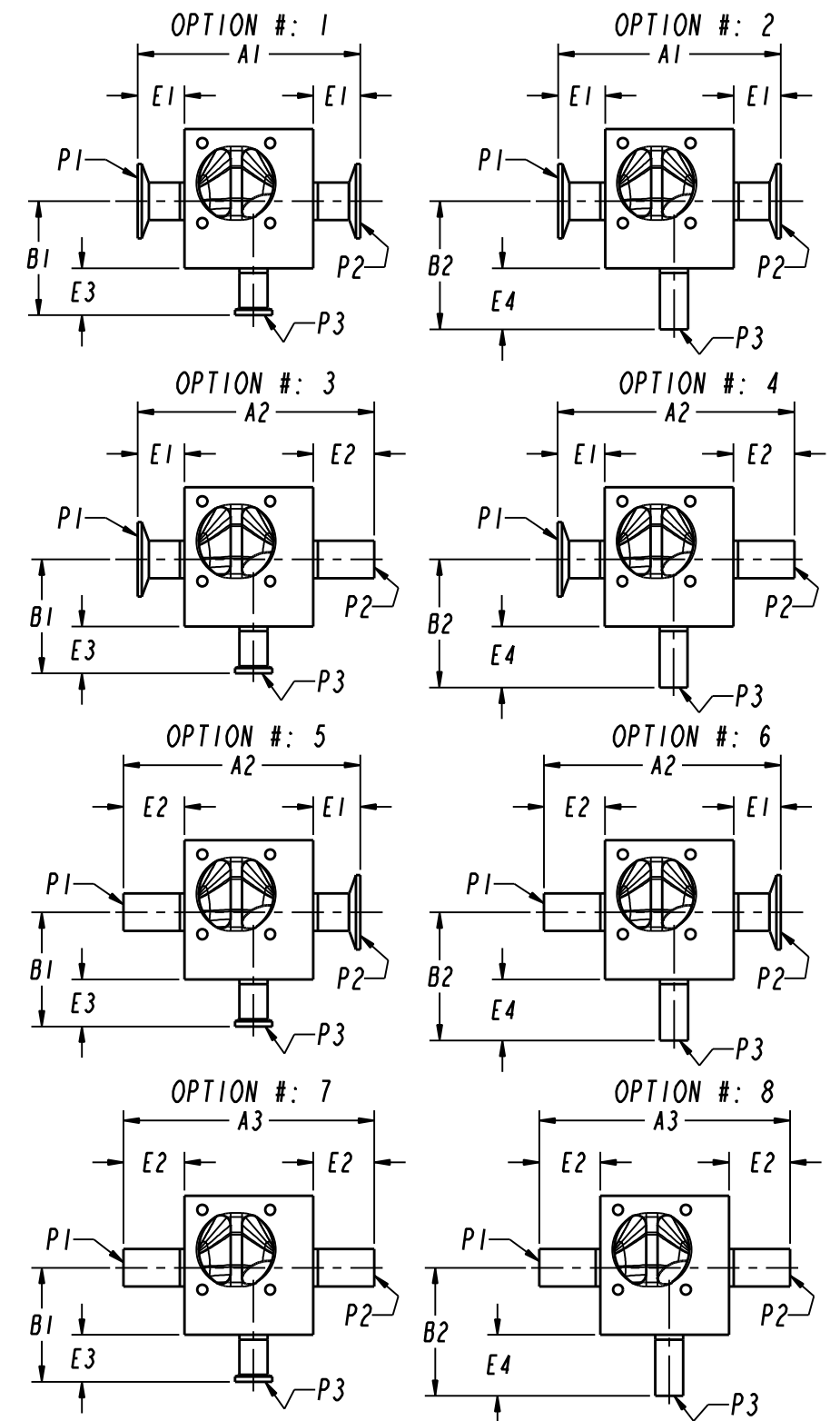


VALVE SIZE (MAIN x PURGE)	DIMENSIONS NOTE: ALL DIMENSIONS IN BRACKETS () ARE MILLIMETERS																		DRAWING
	A1	A2	A3	B1	B2	C	D	E1	E2	E3	E4	G	H	J	K	M	N	L	
1/2"BT x 1/2"BT	3.25	4.25	5.25	1.67	2.67	1.05	0.09	0.63	1.63	0.63	1.63	0.78	0.35	0.75	0.17	0.78	0.30	0.96	M10214
1/2"PF x 1/2"BT	3.53	4.53	5.53	1.67	2.67	1.32	0.12	0.63	1.63	0.63	1.63	0.81	0.35	1.00	0.29	0.80	0.30	1.29	M10218
1/2"PF x 1/2"PF	3.85	4.85	5.85	1.94	2.94	1.32	0.19	0.63	1.63	0.63	1.63	0.88	0.35	1.00	0.29	1.00	0.32	1.29	M10219
3/4" x 1/2"BT	3.70	4.70	5.70	1.85	2.85	1.54	0.31	0.63	1.63	0.63	1.63	1.13	0.47	1.22	0.41	0.91	0.42	1.66	M10221
3/4" x 1/2"PF	4.07	5.07	6.07	2.07	3.07	1.54	0.40	0.63	1.63	0.63	1.63	1.22	0.47	1.22	0.41	1.00	0.44	1.66	M10222
3/4" x 3/4"	4.57	5.57	6.57	2.28	3.28	1.66	0.22	0.63	1.63	0.63	1.63	1.16	0.47	1.22	0.41	1.25	0.44	1.66	M10223
1" x 1/2"BT	5.25	5.63	6.00	1.96	2.96	1.70	0.47	1.25	1.63	0.63	1.63	1.75	0.94	1.38	0.48	0.87	0.55	1.92	M10225
1" x 1/2"PF	5.50	5.87	6.25	2.19	3.19	1.71	0.56	1.25	1.63	0.63	1.63	1.84	0.94	1.38	0.48	1.00	0.57	1.92	M10226
1" x 3/4"	5.93	6.30	6.68	2.41	3.41	1.84	0.41	1.25	1.63	0.63	1.63	1.81	0.94	1.38	0.48	1.19	0.57	1.92	M10227
1" x 1"	6.41	6.79	7.16	3.24	3.61	1.96	0.02	1.25	1.63	1.25	1.63	1.85	0.94	1.38	0.48	1.47	0.59	1.92	M10228
1-1/2" x 1/2"BT	6.13	6.50	6.88	2.19	3.19	2.19	0.66	1.25	1.63	0.63	1.63	2.13	1.12	1.81	0.57	1.27	0.80	2.57	M10230
1-1/2" x 1/2"PF	6.13	6.50	6.88	2.44	3.44	2.19	0.81	1.25	1.63	0.63	1.63	2.28	1.12	1.81	0.57	1.15	0.80	2.57	M10231
1-1/2" x 3/4"	6.47	6.84	7.22	2.69	3.69	2.31	0.72	1.25	1.63	0.63	1.63	2.31	1.12	1.81	0.57	1.25	0.82	2.57	M10232
1-1/2" x 1"	6.86	7.23	7.61	3.46	3.84	2.44	0.32	1.25	1.63	1.25	1.63	2.38	1.12	1.81	0.57	1.44	0.84	2.57	M10233
1-1/2" x 1-1/2"	7.75	8.13	8.50	3.94	4.31	2.69	0.10	1.25	1.63	1.25	1.63	2.34	1.12	1.81	0.57	2.00	0.88	2.57	M10234
2" x 1/2"BT	6.75	7.38	8.00	2.56	3.56	2.50	0.85	1.25	1.88	0.63	1.63	2.63	1.44	2.13	0.57	1.58	1.04	3.07	M10236
2" x 1/2"PF	6.75	7.38	8.00	2.69	3.69	2.50	0.97	1.25	1.88	0.63	1.63	2.75	1.44	2.13	0.57	1.47	1.06	3.07	M10237
2" x 3/4"	6.78	7.41	8.03	2.87	3.87	2.63	0.91	1.25	1.88	0.63	1.63	2.81	1.44	2.13	0.57	1.25	1.07	3.07	M10238
2" x 1"	7.19	7.81	8.44	3.71	4.09	2.75	0.57	1.25	1.88	1.25	1.63	2.94	1.44	2.13	0.57	1.46	1.09	3.07	M10239
2" x 1-1/2"	8.07	8.69	9.32	4.19	4.56	3.00	0.44	1.25	1.88	1.25	1.63	3.00	1.44	2.13	0.57	2.00	1.12	3.07	M10240
2" x 2"	8.81	9.44	10.06	4.50	5.12	3.25	0.13	1.25	1.88	1.25	1.88	3.00	1.44	2.13	0.57	2.50	1.13	3.07	M10241



PURE-FLO ORDER: _____ ITEM: _____
 CUSTOMER: _____
 CUSTOMER PO: _____
 OTHER INFO: _____

THIS DOCUMENT IS THE SOLE PROPERTY OF ITT CORPORATION, OR ITS SUBSIDIARY, AND IS PROVIDED SUBJECT TO RETURN. IT IS ISSUED IN STRICT CONFIDENCE AND SHALL NOT BE REPRODUCED, OR COPIED, OR DISCLOSED IN WHOLE OR IN PART, OR USED AS THE BASIS FOR THE MANUFACTURE OR SALES OF APPARATUS OR PARTS TO WHICH THE DOCUMENT RELATES, WITHOUT THE EXPRESS WRITTEN CONSENT OF ITT CORPORATION, OR ITS SUBSIDIARY. THIS LEGEND SHALL BE MARKED ON ANY REPRODUCTION HEREOF, IN WHOLE OR IN PART. ALL RIGHTS TO THE INFORMATION AND DESIGN DISCLOSED HEREIN ARE RESERVED TO ITT CORPORATION, OR ITS SUBSIDIARY.

THIRD ANGLE PROJECTION

 UNLESS OTHERWISE SPECIFIED, ALL DIMENSIONS ARE IN INCHES

UNLESS OTHERWISE NOTED

INCH	MM
1/16	1.5
1/8	3.175
3/16	4.75
1/4	6.35
5/16	7.9375
3/8	9.525
7/16	11.1125
1/2	12.7
9/16	14.2875
5/8	15.875
3/4	19.05
7/8	21.625
1	25.4

DATE	BY
DWN 01/04/12	MJM
CHKD 01/04/12	MMA
APVD 01/04/12	MMA

TABULATED ISG VALVE ASSY. (RH) 1/2" BT THRU 2" PF
 MASTER DWG: A10006/D ECN# 13633

ITT Pure-Flo
 www.ittpureflo.com
 A10006 SHEET 1 OF 1 REV D
 ISSUE BY: _____ CERT BY: _____