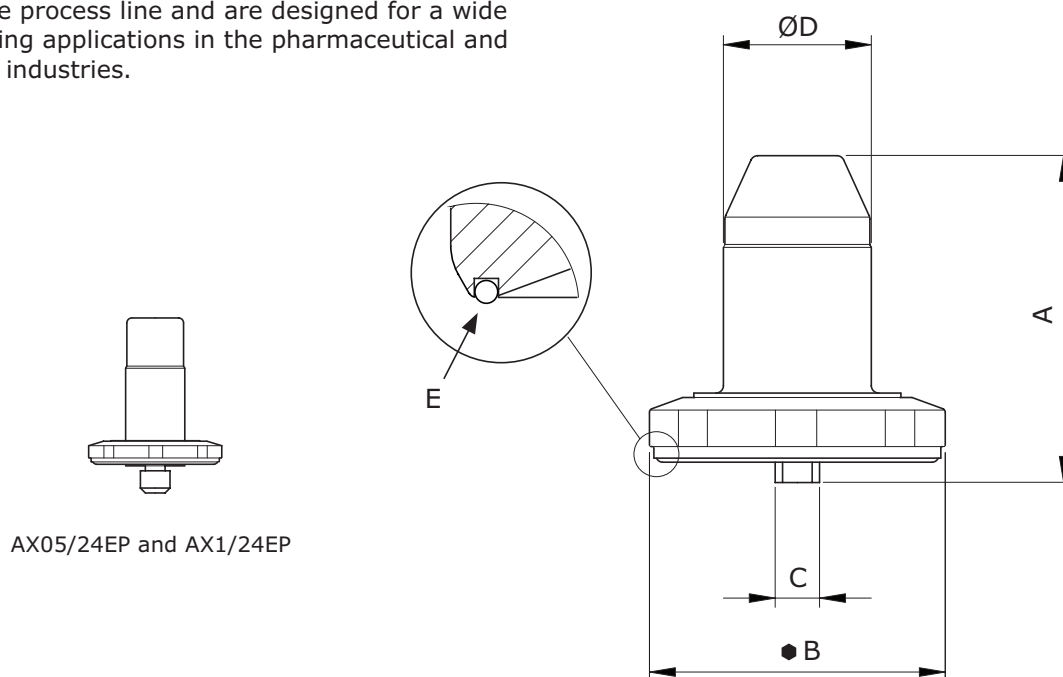


# NovAseptic® Mixer Male Bearing, GMP ATEX

## Product Description

NovAseptic® mixers offer a complete solution for mixing throughout the process line and are designed for a wide variety of mixing applications in the pharmaceutical and biotechnology industries.



AX05/24EP and AX1/24EP

## Nominal Dimensions in mm (in.)

AX#####/24EP	A	● B	C	D	O-Ring E	Compatible Mixer
AX05/24EP	35 (1.38)	26 (1.02)	M6	12 (0.47)	21.95x1.78 (0.864x0.070)	GMP50 ATEX
AX1/24EP	35 (1.38)	26 (1.02)	M6	12 (0.47)	21.95x1.78 (0.864x0.070)	GMP100 ATEX
AX510/24EP	45 (1.77)	39 (1.54)	M6	20 (0.79)	34.65x1.78 (1.364x0.070)	GMP500 ATEX, GMP1000 ATEX
AX20/24EP	48 (1.89)	39 (1.54)	M10	20 (0.79)	34.65x1.78 (1.364x0.070)	GMP2000 ATEX
AX50200/24EP	80 (3.15)	51.5 (2.03)	M12	30 (1.18)	47.35x1.78 (1.864x0.070)	GMP5000 ATEX, GMP10000 ATEX, GMP20000 ATEX

## Specifications

Net Weight (approximate)					
Mixing Head	AX05/24EP	AX1/24EP	AX510/24EP	AX20/24EP	AX50200/24EP
Weight kg (lb)	0.03 (0.066)	0.03 (0.066)	0.1 (0.22)	0.1 (0.22)	0.3 (0.66)

Material					
	Bar		Male Bearing		O-Ring
	Stainless steel in compliance with		Silicone Carbide		
Material Code	AISI 316L	EN 1.4435	Ceramic SiC (SsiC)		EPDM

Additional Information	
Surface Roughness	Surface Ra ≤ 0.38 μm (15 μin)
Surface Treatment	Electropolished
Operating Temperature	+5 to +135 °C (+41 to 275 °F)
Note	The assembled NovAseptic® Mixer may have different design temperature and/or pressure limits. The weakest component in the assembled product determines the maximum temperature and pressure limits.
Labeling	Each Male Bearing is individually labeled for full traceability according to our QA routines.
Packaging	The Male Bearing is packaged in a closed box.
Quality Control	Our Quality Assurance System guarantees the control and traceability at all stages of the manufacturing.
pH Range	1–14
Liquid viscosity	1 to 800 cP max

The male bearing must be used with the appropriate ATEX GMP drive unit, mixing head and tank plate.

## Technical Assistance

For more information, please visit [SigmaAldrich.com](https://www.SigmaAldrich.com) for up-to-date worldwide contact information

