

## Specification Sheet

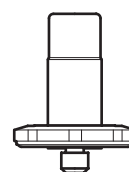
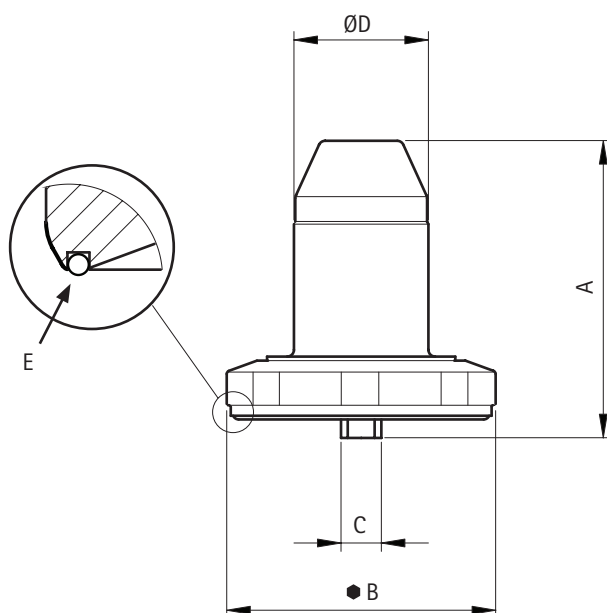
# NovAseptic<sup>®</sup> Mixer, Male Bearing, GMP (UNCD<sup>®</sup> Coated)

Catalogue Number:

GM#/24DC

## Product Description

The NovAseptic mixers offer a complete solution for mixing throughout the process line and are designed for a wide variety of mixing applications in the pharmaceutical and biotechnology industries.



GM05/24DC and GM1/24DC

## Catalogue No. Structure

GM    #    /    24    DC  
          |                    |  
          Size                Bearing Type

## Nominal Dimensions in mm (in.)

Catalogue No.	A	● B	C	D	O-ring E	Compatible Mixer
GM05/24DC	35 (1.38)	26 (1.02)	M6	12 (0.47)	21.95 x 1.78 (0.864 x 0.070)	GMP50
GM05/24EPDC	35 (1.38)	26 (1.02)	M6	12 (0.47)	21.95 x 1.78 (0.864 x 0.070)	GMP50
GM1/24DC	35 (1.38)	26 (1.02)	M6	12 (0.47)	21.95 x 1.78 (0.864 x 0.070)	GMP100
GM1/24EPDC	35 (1.38)	26 (1.02)	M6	12 (0.47)	21.95 x 1.78 (0.864 x 0.070)	GMP100
GM510/24DC	45 (1.77)	39 (1.54)	M6	20 (0.79)	34.65 x 1.78 (1.364 x 0.070)	GMP500 & GMP1000
GM510/24EPDC	45 (1.77)	39 (1.54)	M6	20 (0.79)	34.65 x 1.78 (1.364 x 0.070)	GMP500 & GMP1000
GM20/24DC	48 (1.89)	39 (1.54)	M10	20 (0.79)	34.65 x 1.78 (1.364 x 0.070)	GMP2000
GM20/24EPDC	48 (1.89)	39 (1.54)	M10	20 (0.79)	34.65 x 1.78 (1.364 x 0.070)	GMP2000
GM50300/24DC	80 (3.15)	51.5 (2.03)	M12	30 (1.18)	47.35 x 1.78 (1.864 x 0.070)	GMP5000, GMP 10000, GMP 20000, GMP 30000
GM50300/24EPDC	80 (3.15)	51.5 (2.03)	M12	30 (1.18)	47.35 x 1.78 (1.864 x 0.070)	GMP5000, GMP 10000, GMP 20000, GMP 30000

## Specifications

### Net Weight (approximate)

Male Bearing	GM05/24DC	GM1/24DC	GM510/24DC	GM20/24DC	GM50300/24DC
Weight kg (lb)	0.03 (0.066)	0.03 (0.066)	0.1 (0.22)	0.1 (0.22)	0.3 (0.66)

### Material

	Cover		Male Bearing	O-ring
	Stainless steel in compliance with			
Material Code	AISI 316L	EN 1.4435	Self Sintered Ceramic SiC (SsiC)	EPDM

### O-ring (included)

Male Bearing	GM05/24DC, GM1/24DC	GM510/24DC, GM20/24DC	GM50300/24DC
O- Ring (EPDM)	GM051/220	GM520/220	GM100300/220

### O-ring (included)

Male Bearing	GM05/24DC, GM1/24DC	GM510/24DC, GM20/24DC	GM50300/24DC
O-Ring (Silicone)	GM051/221	GM520/221	GM100300/221
O- Ring (PTFE coated Silicone)	GM051/221T	GM520/221T	GM100300/221T

## Additional Information

Surface Roughness	Surface Ra ≤ 0.5 µm (20 µin) (Optional Ra ≤ 0.25 µm (10 µin))
Surface Treatment	Manually polished alone or with Electro polish. No polishing compounds of animal origin used. UNCD coated.
Operating Temperature*	5 to 135 °C (41 to 275 °F)
pH Range	1–14
Labeling	Each Male Bearing is individually labeled for full traceability according to our QA procedures.
Packaging	The Male Bearing is packaged in a closed box
Quality Control	Our Quality Assurance system ensure the quality and traceability at all stages of the process. All EPDM O- rings are in compliance with FDA regulations §177.2600 and USP Biological Tests for Plastics, Class VI. supplied with statement.
Options	For non-standard NovAseptic Mixer Options, please contact your local sales representative for information.

\*Note: The assembled NovAseptic Mixer may have different design temperature and/or pressure limits.  
The weakest part in the assembled product determines the maximum design temperature and pressure limits.



[www.merckmillipore.com](http://www.merckmillipore.com)

EMD Millipore and the M mark are trademarks of Merck KGaA, Darmstadt, Germany.  
NovAseptic is a registered trademark of Millipore Corporation.  
UNCD is a registered trademark of Advanced Diamond Technologies, Inc.  
Specifications subject to change without notice.  
Lit. No. SP2255EN00 Rev. B 09/2011 DP SBU-11-04832 Printed in the USA.  
©2011 Millipore Corporation, Billerica, MA 01821 U.S.A. All rights reserved.

## To Place an Order or Receive Technical Assistance

In Europe, please call Customer Service:

France: 0825.045.645  
Spain: 901.516.645 Option 1  
Germany: 01805.045.645  
Italy: 848.845.645

United Kingdom: 0870.900.46.45

For other countries across Europe,  
please call: +44 (0) 115 943 0840

Or visit [www.merckmillipore.com/offices](http://www.merckmillipore.com/offices)

For Technical Service visit:

[www.merckmillipore.com/techservice](http://www.merckmillipore.com/techservice)