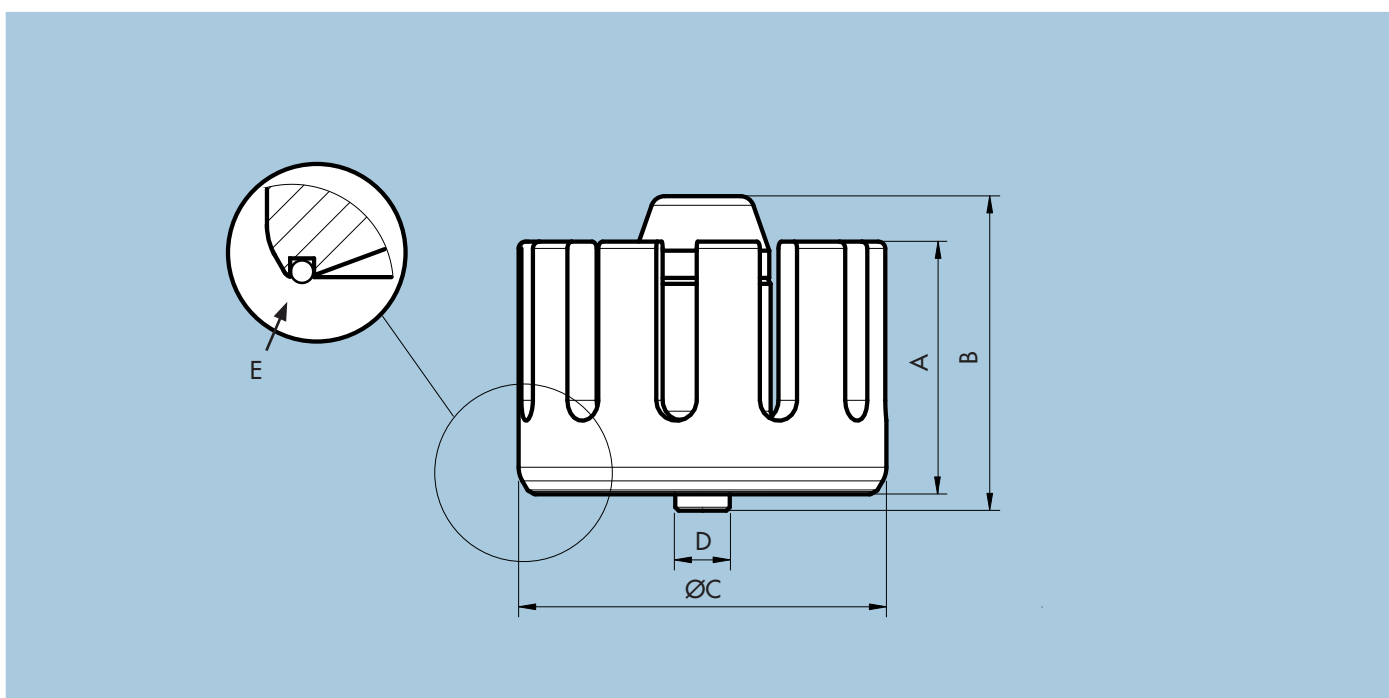


NovAseptic® Mixer Stator, HS and HSI

Catalogue Number G20-###

Stator, HS and HSI Configuration



Nominal Dimensions in mm (in.)

G20-###	A	B	C	D	O-Ring E	Compatible Mixer
G20-010	25 (0.98)	37 (1.46)	33 (1.30)	M6	21.95x1.78 (0.86x0.07)	HS T10
G20-005	37 (1.46)	46 (1.81)	54 (2.13)	M8x1	47.35x1.78 (1.86x0.07)	HS T60
G20-005	37 (1.46)	46 (1.81)	54 (2.13)	M8x1	47.35x1.78 (1.86x0.07)	HSI T60
G20-007	64 (2.52)	85 (3.35)	102 (4.02)	M12	94.77x1.78 (3.73x0.07)	HS T260

Specifications

Net Weight (approximate)

	HS T10	HS T60	HSI T60	HS T260
	G20-010	G20-005		G20-007
Weight kg (lb)	0.1 (0.22)	0.3 (0.66)		2.0 (4.41)

Material

	Stator Stainless Steel in Compliance with		Male Bearing Stainless Steel in Compliance with	O-Ring
Material Code	316L	EN 1.4435	Ceramic SiC (SsiC)	EPDM
Technical Requirements	ASME® SA-479	EN 10272	-	-

Surface Roughness: Surface Ra ≤ 0.8µm (31µin)

Surface Treatment: Electropolished

Operating Temperature: 5 to 135 °C (41 to 275 °F)

pH Range: 1-14

Note! The assembled NovAseptic Mixer may have different design temperature and/or pressure limits. The weakest component in the assembled product determines the maximum design temperature and pressure limits.

Labeling: Each Stator is individually labeled for full traceability according to Millipore QA routines.

Packaging: The Stator is packaged in a closed box.

Quality Control: Millipore Quality Assurance System guarantees the control and traceability at all stages of the manufacturing.

Options: For non-standard NovAseptic Mixer Options, please contact Millipore for further information.

To Place an Order or Receive Technical Assistance

For additional information call your nearest Millipore office or visit us at www.millipore.com.

In the U.S. and Canada, call toll-free 1-800-MILLIPORE (1-800-645-5476). In the U.S., Canada and Puerto Rico, fax orders to 1-800-MILLIFX (1-800-645-5439).

MILLIPORE

Millipore and NovAseptic are registered trademarks of Millipore Corporation or an affiliated company.

ASME is a registered trademark of the American Society of Mechanical Engineers.

Specifications subject to change without notice.

Lit. No. SP1151EN00 Rev. -, 11/2006. Replaces DS-209

© 2006 Millipore Corporation. All rights reserved.