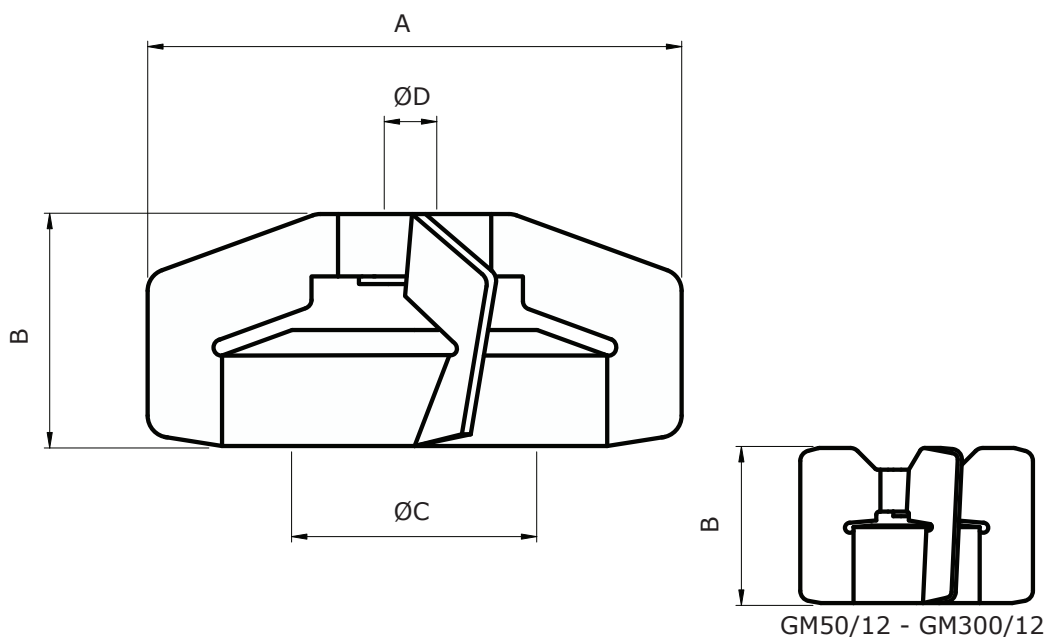


Specification Sheet

# NovAseptic® Mixer, Mixing Head, GMP

## Product Description

NovAseptic® mixers offer a complete solution for mixing throughout the process line and are designed for a wide variety of mixing applications in the pharmaceutical and biotechnology industries.



## Catalogue Number Structure

<b>GM</b>	<b>#</b>	/	<b>12#</b>
Mixer	Size		12 and 120 Manually Polished 12EP and 120EP Manually Polished and Electro Polished

## Nominal Dimensions in mm (in.)

Catalogue No.	A	B	C	D	Compatible Mixer
GM05/12	96 (3.78)	52 (2.05)	34 (1.34)	12 (0.47)	GMP50
GM05/12EP	96 (3.78)	52 (2.05)	34 (1.34)	12 (0.47)	GMP50
GM1/12	120 (4.72)	53 (2.09)	56 (2.20)	12 (0.47)	GMP100
GM1/12EP	120 (4.72)	53 (2.09)	56 (2.20)	12 (0.47)	GMP100
GM5/120	142 (5.59)	71 (2.80)	56 (2.20)	20 (0.79)	GMP500
GM5/120EP	142 (5.59)	71 (2.80)	56 (2.20)	20 (0.79)	GMP500
GM10/120	160 (6.30)	71 (2.80)	64 (2.52)	20 (0.79)	GMP1000
GM10/120EP	160 (6.30)	71 (2.80)	64 (2.52)	20 (0.79)	GMP1000
GM20/12	184 (7.24)	73 (2.87)	87 (3.43)	20 (0.79)	GMP2000
GM20/12EP	184 (7.24)	73 (2.87)	87 (3.43)	20 (0.79)	GMP2000
GM50/12	192 (7.56)	115 (4.53)	106 (4.17)	30 (1.18)	GMP5000
GM50/12EP	192 (7.56)	115 (4.53)	106 (4.17)	30 (1.18)	GMP5000
GM100/12	220 (8.66)	150 (5.91)	87 (3.43)	30 (1.18)	GMP10000
GM100/12EP	220 (8.66)	150 (5.91)	87 (3.43)	30 (1.18)	GMP10000
GM200/12	273 (10.75)	130 (5.12)	170 (6.69)	30 (1.18)	GMP20000
GM200/12EP	273 (10.75)	130 (5.12)	170 (6.69)	30 (1.18)	GMP20000
GM300/12	365 (14.37)	155 (6.10)	169 (6.65)	30 (1.18)	GMP30000
GM300/12EP	365 (14.37)	155 (6.10)	169 (6.65)	30 (1.18)	GMP30000

## Specifications

Net Weight (approximate)									
Mixing Head	GM05/12	GM1/12	GM5/12	GM10/12	GM20/12	GM50/12	GM100/12	GM200/12	GM300/12
Weight kg (lb)	0.5 (1.1)	0.9 (2.0)	1.3 (2.87)	1.7 (3.75)	1.8 (3.97)	3.4 (7.50)	5.1 (11.2)	6.7 (14.8)	9.7 (21.4)

Material					
	Bar		Plate		Female Bearing
	Stainless steel in compliance with		Stainless steel in compliance with		
Material Code	316L	EN 1.4435	316L	EN 1.4435	Ceramic Sic (SsiC)

Specifications	
Surface Roughness	Surface Ra ≤ 0.38 µm (15 µin)
Surface Treatment	Manually polished or Manually polished and Electro polished. No polishing compounds of animal origin used.
Operating Temperature*	5 to 135 °C (41 to 275 °F)
pH Range	1-14
Labeling	Each Mixing Head is individually labeled for full traceability according to our QA procedures.
Packaging	The Mixing Head is packaged in a closed box.
Quality Control	Our Quality Assurance system ensure the quality and traceability at all stages of the process.
Options	For non-standard NovAseptic® mixer options, please contact your local representative for information.

\* Note: The assembled NovAseptic® Mixer may have different design temperature and/or pressure limits. The weakest part in the assembled product determines the maximum design temperature and pressure limits.

## Technical Assistance

For more information, please visit [SigmaAldrich.com](https://www.SigmaAldrich.com) for up-to-date worldwide contact information

