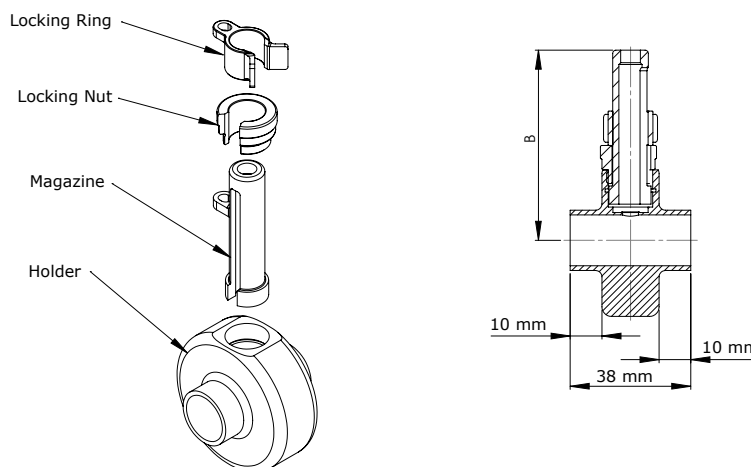


NovaSeptum® GO In-Line Butt-End Fully Machined Holder Configuration

Product Description

The NovaSeptum® GO in-line butt-end holder is designed to be welded on a pipe for in-line sampling and can be steam sterilized.



US Tube

Tube Nominal Dimensions in mm (in.)	B	Cat. No.
ASTM® A 269/270		
12.7 x 1.65 mm (0.5 in. x 0.065 in.)	53 mm (2.1 in.)	EP12/127x94-3D4
19.1 x 1.65 mm (0.75 in. x 0.065 in.)	56 mm (2.2 in.)	EP12/191x158-3D4
DIN 11850 (part 2)		
13 x 1.5 mm	53 mm	EP12/130x100-3D4
19 x 1.5 mm	56 mm	EP12/190x160-3D4

Specifications

Materials of Construction	Holder	Stainless steel in compliance with 316L EN 1.4435, EN 10 272, ASME® SA 479/ASTM® A 479, fully machined
	Magazine	PPS, high-temperature resistant plastic compound
	Locking nut	Stainless steel in compliance with SS2346, ASTM® 303
	Locking tag	Polyamid/stainless steel
	Ring	Polyester
Nominal Dimensions	Weight	0.2 kg
Environmental	Surface Finish	Wetted parts (electropolished) Ra ≤ 0.5 µm
	Operating Temperature	-80°C to 150°C (-112°F to 302°F)
	Maximum Operating Pressure	Withstand 6.00 bar (g) (87 psi)
	Traceability	The product and packaging label includes the catalog and lot number. Each holder is marked for full lot traceability and heat number.
	ASME® BPE	Manufactured according to ASME® BPE guidelines
Packaging	All open ends on the NovaSeptum® GO holders are protected with plastic covers. The holder is pre-assembled and packed in a closed box to reduce exposure.	

Ordering Information

NovaSeptum® GO In-Line Butt-End Holder

Electropolished + Glass-Blasted

No. of Sample Ports	Tube Size (O.D.Ø)	Cat. No.
1	0.5 in. (ASTM®)	EP12/127x94-3D4
	0.75 in. (ASTM®)	EP12/191x158-3D4
	13 mm (DIN)	EP12/130x100-3D4
	19 mm (DIN)	EP12/190x160-3D4