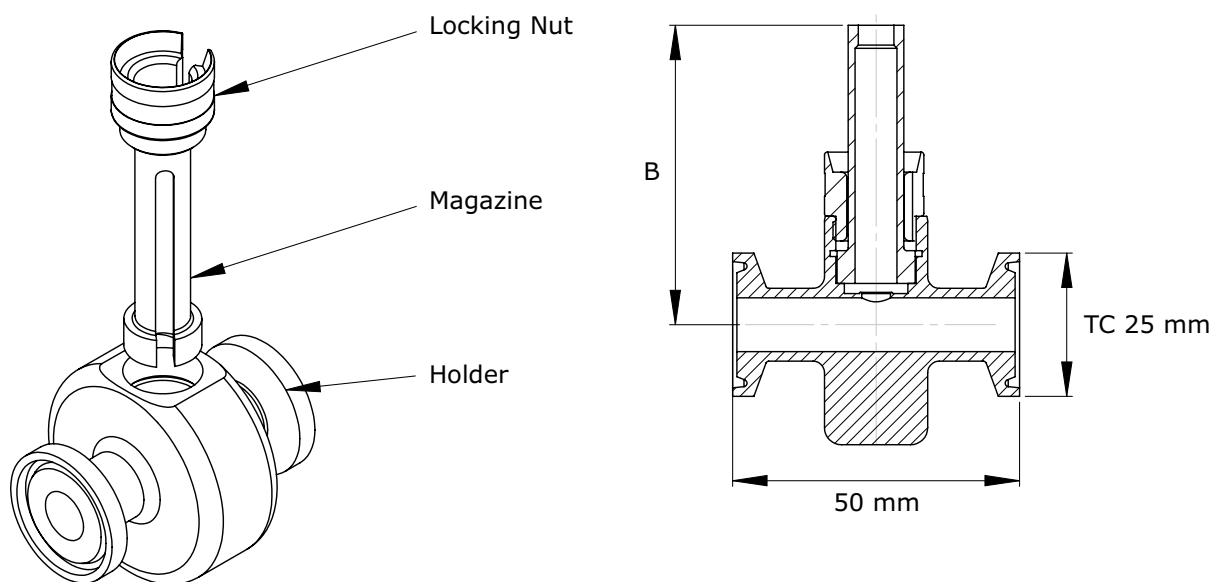


NovaSeptum® In-Line TC (1-Port) Holder

General Sampling Cat. No.: AP11/###x###-3D5
Cell Culture Sampling Cat. No.: AP12/###x###-3D5

NovaSeptum® In-Line TC Fully Machined (1-Port) Holder Configuration



US Tube

Tube Nominal Dimensions in mm (in.)	B	Cat. No.
ASTM® A 269/270		
12.7 x 1.65 mm (0.5 in. x 0.065 in.)	53 mm (2.1 in.)	AP11/127x94-3D5
19.05 x 1.65 mm (0.75 in. x 0.065 in.)	56 mm (2.2 in.)	AP11/191x158-3D5
12.7 x 1.65 mm (0.5 in. x 0.065 in.)	53 mm (2.1 in.)	AP12/127x94-3D5
19.1 x 1.65 mm (0.75 in. x 0.065 in.)	56 mm (2.2 in.)	AP12/191x158-3D5
DIN 11850 Reihe 2		
13 x 1.5 mm	53 mm	AP11/130x100-3D5
19 x 1.5 mm	56 mm	AP11/190x160-3D5
13 x 1.5 mm	53 mm	AP12/130x100-3D5
19 x 1.5 mm	56 mm	AP12/190x160-3D5

Specifications

Materials of Construction	Holder	Stainless steel in compliance with 316L EN 1.4435, EN 10 272, ASME® SA 479/ASTM® A 479, fully machined
	Magazine	PPS, high-temperature resistant plastic compound
	Locking Nut	Stainless steel in compliance with SS2346, ASTM® 303
Nominal Dimensions	Weight	0.25 kg
Environmental	Surface Finish	Wetted parts (manually polished and electropolished) Ra ≤ 0.5 µm
	Operating Temperature	-80°C to 150°C (-112°F to 302°F)
	Maximum Operating Pressure	Withstand 6.00 bar (g) (87 psi)
	Traceability	The product and packaging label includes the catalog and lot number. Each holder is marked for full lot traceability and heat number.
	ASME® BPE	Manufactured according to ASME® BPE guidelines
	Packaging	All open ends on the NovaSeptum® holders are protected with plastic covers. The holder is pre-assembled and packed in a closed box to reduce exposure.

Ordering Information

NovaSeptum® In-Line TC Holder

Sampling Type	No. of Sample Ports	Tube Size (O.D.ø)	TC Size	Cat. No.
General	1	0.5 in. (ASTM®)	25 mm (.5 in.)	AP11/127x94-3D5
		0.75 in. (ASTM®)	25 mm (.5 in.)	AP11/191x158-3D5
		13 mm (DIN)	25 mm (.5 in.)	AP11/130x100-3D5
		19 mm (DIN)	25 mm (.5 in.)	AP11/190x160-3D5
Cell Culture	1	0.5 in. (ASTM®)	25 mm (.5 in.)	AP12/127x94-3D5
		0.75 in. (ASTM®)	25 mm (.5 in.)	AP12/191x158-3D5
		13 mm (DIN)	25 mm (.5 in.)	AP12/130x100-3D5
		19 mm (DIN)	25 mm (.5 in.)	AP12/190x160-3D5

Merck KGaA
Frankfurter Strasse 250
64293 Darmstadt, Germany

For additional information, visit
MerckMillipore.com

To place an order or receive technical assistance, visit
MerckMillipore.com/contactPS

