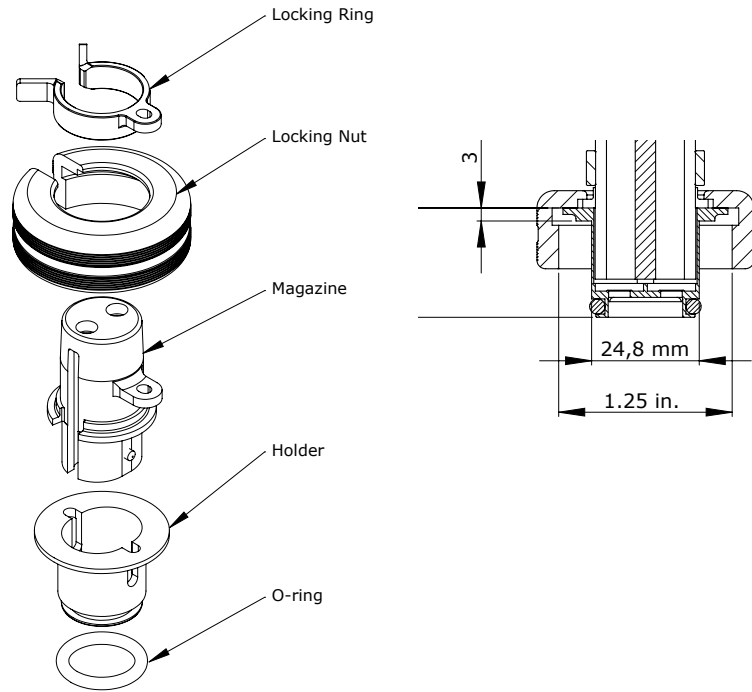


NovaSeptum® GO Holder for Ingold® (2-Port) Configuration

Product Description

The NovaSeptum® GO holder for Ingold® configuration is designed to be used in combination with NovaSeptum® GO sampling units and to fit a $\varnothing 25$ mm Ingold® fitting. A certificate of quality is included in each box.

(All dimensions are nominal)



Specifications

Materials of Construction	Holder	Stainless steel in compliance with 316L EN 1.4435, ASME® SA 479/ASTM® A479, EN 10 272
	Magazine	PPS, high-temperature resistant plastic compound
	Locking nut	Stainless steel in compliance with SS2346, ASTM® 303
	O-ring	EPDM, in compliance with USP <88>, Class VI we also should add the temperature to which it has been tested : usually we use 70°C or 121°C in case of sterilization needs.
	Locking tag	Polyamid/stainless steel
	Ring	Polyester
Nominal Dimensions	Weight	0.2 kg
Environmental	Surface Finish	Wetted parts (manually polished and electropolished) Ra ≤ 0.5 µm
	Design Temperature, Holder	-80°C to 150°C (-112°F to 302°F)
	Design Pressure, Holder	6.00 bar (g) (87 psi)
	Traceability	The product and packaging label includes the catalog and lot number. Each holder is marked for full lot traceability and heat number.
	Packaging	All open ends on the NovaSeptum® GO holders are protected with plastic covers. The holder is pre-assembled and packed in a closed box to reduce exposure.

Ordering Information

NovaSeptum® GO Holder for Ingold® (2-Port)

Electropolished + Glass-Blasted

No. of Sample Ports	Ingold® Insertion Length	Length	Cat. No.
2	Diam. 25 mm	25.2 mm	EG22/380x252-3D0
2	Diam. 49 mm	49 mm	EG22/380X490-3D0
2	Diam. 55 mm	55 mm	EG22/380X550-3D0