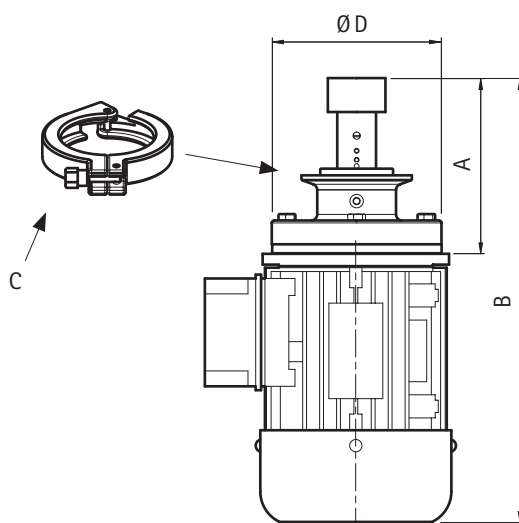


Specification Sheet

NovAseptic[®] Mixer Drive Unit, HS

Catalogue Number:

HS ## / 4XS-##



Nominal Dimensions in mm (in.)

Catalogue HS ## / 4XS-##	A	B	TC Clamp C	Motor Flange Type D	Revolution Counter	Compatible Mixer
HS10/4XS-N	87 (3.43)	279 (10.99)	–	B14	Yes	HS T10
HS60/4XS-N2	138 (5.43)	446 (17.56)	91 (3)	B14	Yes	HS T60
HS260/4XS-N2	178 (7.01)	589 (23.19)	–	B14	Yes	HS T260

Specifications

Net Weight (approximate)			
	HS T10	HS T60	HS T260
Catalogue No.	HS10/4XS-N	HS60/4XS-N2	HS260/4XS-N2
Weight kg (lb)	6 (13)	16 (35.3)	70 (154)

General Motor Data			
	HS T10	HS T60	HS T260
Catalogue No.	HS10/4XS-N	HS60/4XS-N2	HS260/4XS-N2
Type	Three-phase asynchronous	Three-phase asynchronous	Three-phase asynchronous
Voltage	230/400V AC - 50Hz and 460V AC - 60Hz	230/400V AC - 50Hz and 460V AC - 60Hz	230/400V AC - 50Hz and 460V AC - 60Hz
Number of Poles	2	2	2
Degree of Protection	IP 55	IP 55	IP 55

Drive Unit Specifications					
Motor					
Catalogue No.	Brand	Max Effect (kW) 50/60Hz	Frequency (Hz)	Speed (rpm) 50/60Hz	Max Current (A) 230/400V AC*
HS10/4XS-N	Nord 63L/2	0.25/0.3	50/60	2700/3200	1.3/0.75
HS60/4XS-N2	Siemens 90S/2	1.5/1.8	50/60	2800/3400	6.75/3.9
HS260/4XS-N2	Siemens 132SA/2	7.5/8.7	50/60	2900/3500	-/14.8

Complete Drive Unit			
Catalogue No.	Frame IEC Size	Outer Driving Head Torque (Nm)	Design Speed (rpm)**
HS10/4XS-N	IEC 63 B14	1	350 - 5200
HS60/4XS-N2	IEC 90 B14	6	350 - 3400
HS260/4XS-N2	IEC 132 B14	26	350 - 3500

Additional Information	
Environment Temperature	-15 to 40 °C (5 to 104 °F)
Design Pressure	Atmospheric pressure
Operating Speed	Maximum operating speed has to be validated for each process individually, depending on volume, viscosity etc.
Note	The assembled NovAseptic Mixer may have different design temperature and/or pressure limits. The weakest component in the assembled product determines the maximum design temperature and pressure limits.
Labeling	Each Drive Unit is individually labeled for full traceability according to our QA routines.
Packaging	The Drive Unit is packaged in a closed box.
Quality Control	Our Quality Assurance System guarantees the control and traceability of the product.
Options	For non-standard NovAseptic Mixer Options, please contact your local sales representative for further information. Options for non-standard NovAseptic Mixer Options, please contact your local sales representative for further information.

*Note: Approx. for more accurate figures contact your local sales representative.

**Note: Design Speed is the mechanical limit.



www.emdmillipore.com

To Place an Order or Receive Technical Assistance

In the U.S. and Canada, call toll-free 1-800-645-5476

For other countries across Europe and the world, please visit www.millipore.com/offices

For Technical Service, please visit

www.millipore.com/techservice