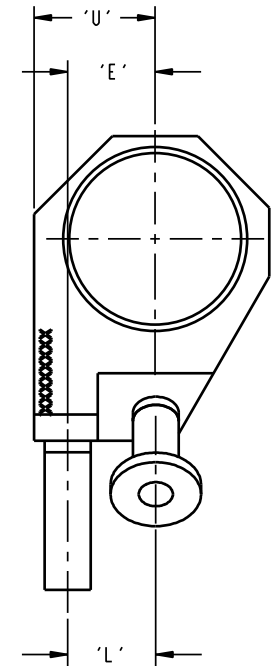
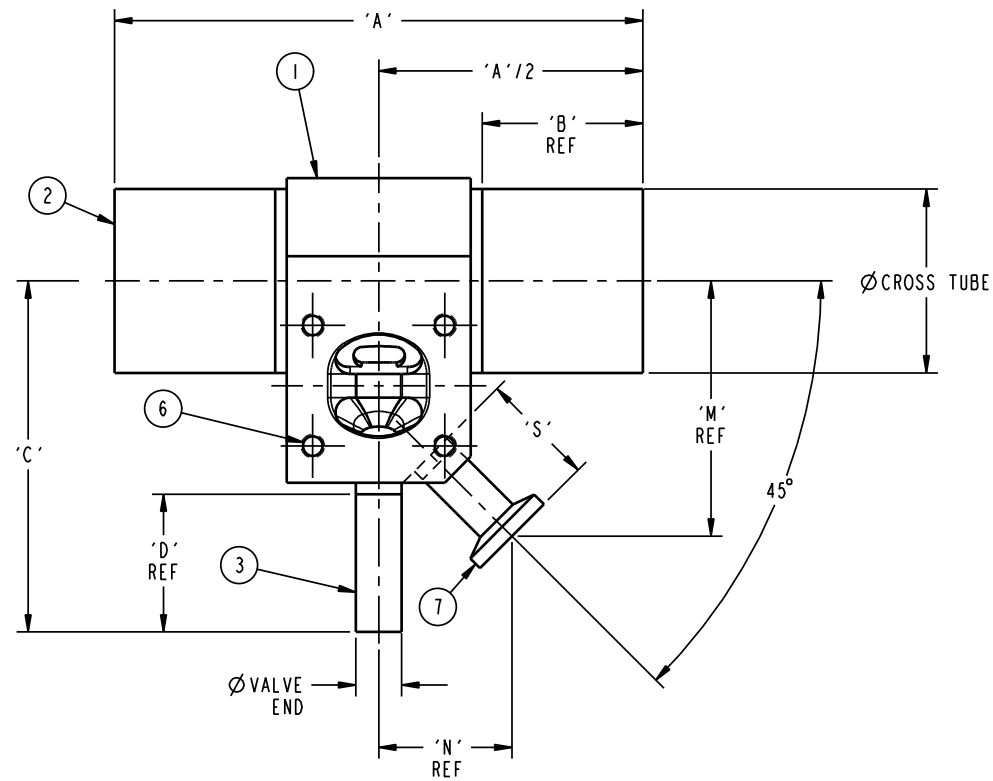
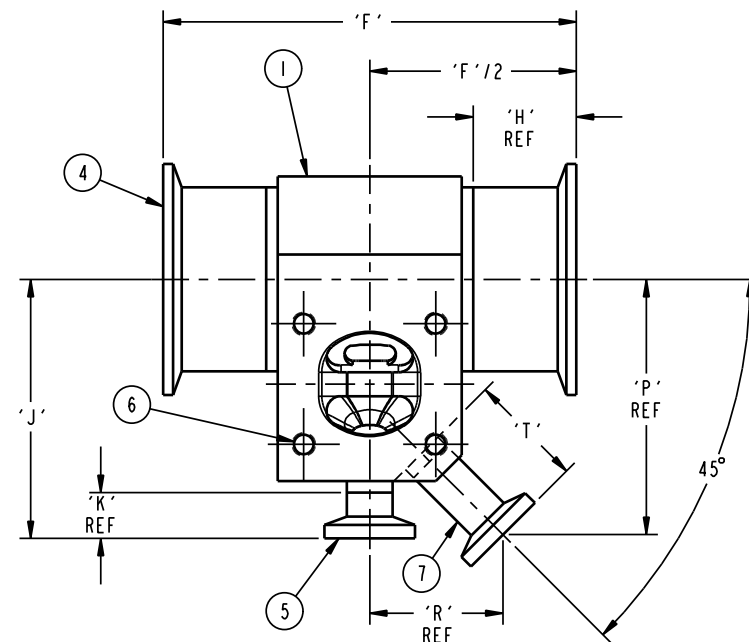


VALVE END	DIM'S	CROSS TUBE					
		1.00 [25,4]	1.50 [38,1]	2.00 [50,8]	2.50 [63,5]	3.00 [76,2]	4.00 [101,6]
0.50 [12,7]	'A'	5.25 [133,4]	5.25 [133,4]	5.75 [146,0]	5.75 [146,0]	5.75 [146,0]	6.25 [158,8]
	'B'	1.50 [38,1]	1.50 [38,1]	1.75 [44,4]	1.75 [44,4]	1.75 [44,4]	2.00 [50,8]
	'C'	3.29 [83,6]	3.56 [90,4]	3.82 [97,0]	4.08 [103,6]	4.34 [110,2]	4.85 [123,2]
	'D'	1.50 [38,1]	1.50 [38,1]	1.50 [38,1]	1.50 [38,1]	1.50 [38,1]	1.50 [38,1]
	'E'	0.56 [14,2]	0.78 [19,8]	0.95 [24,1]	1.10 [27,9]	1.26 [32,0]	1.75 [44,4]
	'F'	4.50 [114,3]	4.50 [114,3]	4.50 [114,3]	4.50 [114,3]	4.50 [114,3]	4.50 [114,3]
	'H'	1.12 [28,4]	1.12 [28,4]	1.12 [28,4]	1.12 [28,4]	1.12 [28,4]	1.12 [28,4]
	'J'	2.29 [58,2]	2.56 [65,0]	2.82 [71,6]	3.08 [78,2]	3.34 [84,8]	3.85 [97,8]
	'K'	0.50 [12,7]	0.50 [12,7]	0.50 [12,7]	0.50 [12,7]	0.50 [12,7]	0.50 [12,7]
	'L'	0.52 [13,2]	0.63 [16,0]	0.96 [24,4]	1.27 [32,3]	1.51 [38,4]	2.38 [60,5]
	'M'	2.26 [57,4]	2.53 [64,2]	2.78 [70,6]	3.03 [77,0]	3.28 [83,3]	3.77 [95,8]
	'N'	1.43 [36,4]	1.44 [36,6]	1.45 [36,9]	1.46 [37,1]	1.46 [37,1]	1.49 [37,8]
	'P'	2.71 [68,8]	2.97 [75,4]	2.78 [70,6]	3.03 [77,0]	3.28 [83,3]	3.77 [95,8]
	'R'	1.88 [47,8]	1.88 [47,8]	1.45 [36,9]	1.46 [37,1]	1.46 [37,1]	1.49 [37,8]
	'S'	1.25 [31,8]	1.25 [31,8]	1.25 [31,8]	1.25 [31,8]	1.25 [31,8]	1.25 [31,8]
	'T'	1.88 [47,8]	1.88 [47,8]	1.25 [31,8]	1.25 [31,8]	1.25 [31,8]	1.25 [31,8]
	'U'	0.93 [23,6]	1.14 [29,0]	1.32 [33,5]	1.46 [37,1]	1.63 [41,4]	2.12 [53,8]

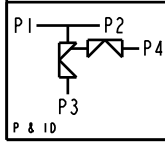
LIST OF MAJOR COMPONENTS			
ITEM	DESCRIPTION	MATERIAL	QTY
1	BODY-ZSBBS	SS 316L	1
2	TUBING-CROSS TUBE END 16G	SS 316L	AR
3	TUBING-VALVE END 16G	SS 316L	1
4	FERRULE-CROSS TUBE END TC	SS 316L	AR
5	FERRULE-VALVE END TC	SS 316L	1
6	STUD		4
7	FERRULE-SAMPLE PORT END TC 00.50 x 01.12	SS 316L	1
	FERRULE-REDUCING SAMPLE PORT END TC 00.50 x 01.12	SS 316L	1
	FERRULE-SAMPLE PORT END TC 00.50 x 01.75	SS 316L	1
	FERRULE-REDUCING SAMPLE PORT END TC 00.50 x 01.75	SS 316L	1



NOTES:  
 1. SAMPLE PORT END TC FERRULE 00.50 x 01.75 & SAMPLE PORT END TC REDUCING FERRULE 00.50 x 01.75 ARE ONLY USED WITH VALVE END TC FERRULE AND/OR CROSS TUBE TC FERRULE ON 00.50 x 01.00 & 00.50 x 01.50 BODIES.  
 2. LEFT HAND AND RIGHT HAND ORIENTATION IS DETERMINED BY VIEWING THE MACHINE FACE OF THE MAIN VALVE.

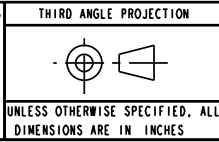


**RIGHT HAND ORIENTATION SHOWN**  
 SEE NOTE 2



PURE-FLO ORDER: \_\_\_\_\_ ITEM: \_\_\_\_\_  
 CUSTOMER: \_\_\_\_\_  
 CUSTOMER PO: \_\_\_\_\_  
 OTHER INFO: \_\_\_\_\_  
 ISSUED BY: \_\_\_\_\_ CERTIFIED BY: \_\_\_\_\_

THIS DOCUMENT IS THE SOLE PROPERTY OF ITT INDUSTRIES, INC., OR ITS SUBSIDIARY, AND IS PROVIDED SUBJECT TO RETURN. IT IS ISSUED IN STRICT CONFIDENCE AND SHALL NOT BE REPRODUCED, OR COPIED, OR DISCLOSED IN WHOLE OR IN PART, OR USED AS THE BASIS FOR THE MANUFACTURE OR SALES OF APPARATUS OR PARTS TO WHICH THE DOCUMENT RELATES, WITHOUT THE EXPRESS WRITTEN CONSENT OF ITT INDUSTRIES INC., OR ITS SUBSIDIARY. THIS LEGEND SHALL BE MARKED ON ANY REPRODUCTION HEREOF, IN WHOLE OR IN PART. ALL RIGHTS TO THE INFORMATION AND DESIGN DISCLOSED HEREIN ARE RESERVED TO ITT INDUSTRIES, INC., OR ITS SUBSIDIARY.



UNLESS OTHERWISE NOTED	
INCH	MM
± 0.06	± 1.5
± 0.08	± 2.0
± 0.12	± 3.0
± 0.15	± 3.8
± 0.20	± 5.0
± 0.25	± 6.3
± 0.31	± 7.9
± 0.39	± 10.0
± 0.50	± 12.7
± 0.62	± 15.7
± 0.78	± 20.0
± 1.00	± 25.4

DATE	BY	STANDARDS-ZSBBS
11/11/04	JWP	WEIR 00.50
11/11/04	JRD	
11/11/04	JRD	

ITT Pure-Flo  
 www.ittpureflo.com

SITE PA	D	008730	REV -
WT: -		ECN# 8555	MASTER DWG 008730

SHEET 1 OF 1