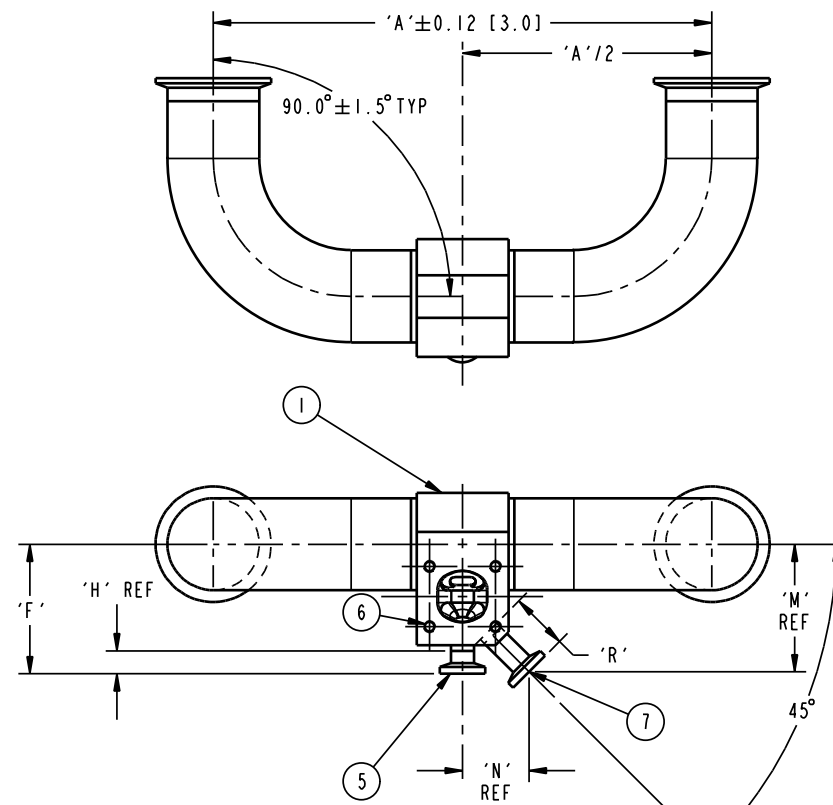
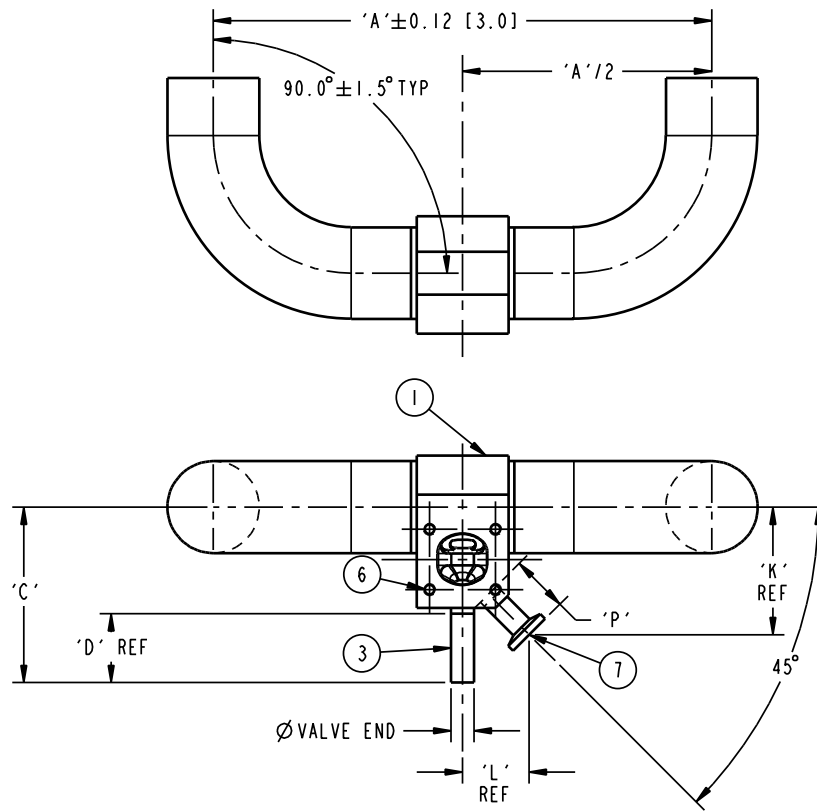


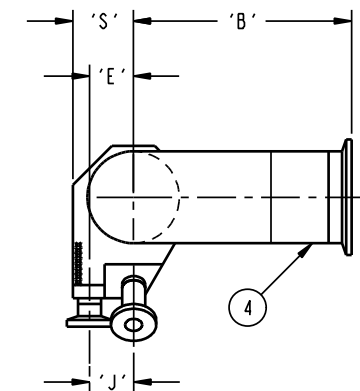
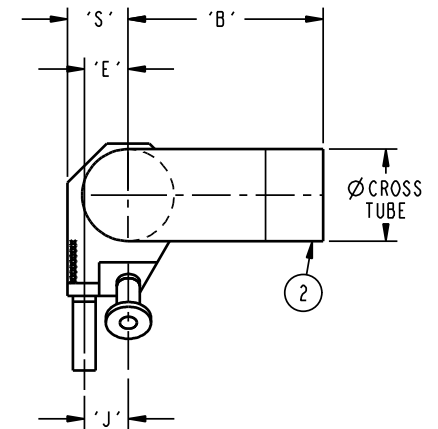
VALVE END	DIM'S	CROSS TUBE						
		1.00 [25,4]	1.50 [38,1]	2.00 [50,8]	2.50 [63,5]	3.00 [76,2]	4.00 [101,6]	
0.50 [12,7]	'A'	8.25 [209,6]	9.75 [247,7]	11.75 [298,5]	13.25 [336,6]	14.75 [374,7]	18.25 [463,6]	
	'B'	3.00 [76,2]	3.75 [95,2]	4.75 [120,6]	5.50 [139,7]	6.25 [158,8]	8.00 [203,2]	
	'C'	3.29 [83,6]	3.56 [90,4]	3.82 [97,0]	4.08 [103,6]	4.34 [110,2]	4.85 [123,2]	
	'D'	1.50 [38,1]	1.50 [38,1]	1.50 [38,1]	1.50 [38,1]	1.50 [38,1]	1.50 [38,1]	
	'E'	0.56 [14,2]	0.78 [19,8]	0.95 [24,1]	1.10 [27,9]	1.26 [32,0]	1.75 [44,4]	
	'F'	2.29 [58,2]	2.56 [65,0]	2.82 [71,6]	3.08 [78,2]	3.34 [84,8]	3.85 [97,8]	
	'H'	0.50 [12,7]	0.50 [12,7]	0.50 [12,7]	0.50 [12,7]	0.50 [12,7]	0.50 [12,7]	
	'J'	0.52 [13,2]	0.63 [16,0]	0.96 [24,4]	1.27 [32,3]	1.51 [38,4]	2.38 [60,5]	
	'K'	2.26 [57,4]	2.53 [64,2]	2.78 [70,6]	3.03 [77,0]	3.28 [83,3]	3.77 [95,8]	
	'L'	1.43 [36,3]	1.44 [36,6]	1.45 [36,8]	1.46 [37,1]	1.46 [37,1]	1.49 [37,8]	
	'M'	2.71 [68,8]	2.97 [75,4]	2.78 [70,6]	3.03 [77,0]	3.28 [83,3]	3.77 [95,8]	
	'N'	1.88 [47,8]	1.88 [47,8]	1.45 [36,8]	1.46 [37,1]	1.46 [37,1]	1.49 [37,8]	
	'P'	1.25 [31,8]	1.25 [31,8]	1.25 [31,8]	1.25 [31,8]	1.25 [31,8]	1.25 [31,8]	
	'R'	1.88 [47,8]	1.88 [47,8]	1.25 [31,8]	1.25 [31,8]	1.25 [31,8]	1.25 [31,8]	
	'S'	0.93 [23,6]	1.14 [29,0]	1.32 [33,5]	1.46 [37,1]	1.63 [41,4]	2.12 [53,8]	

- NOTES:
 1. SAMPLE PORT END TC FERRULE 00.50 x 01.75 & SAMPLE PORT END TC REDUCING FERRULE 00.50 x 01.75 ARE ONLY USED WITH VALVE END TC FERRULE ON 00.50 x 01.00 & 00.50 x 01.50 BODIES.
 2. LEFT HAND AND RIGHT HAND ORIENTATION IS DETERMINED BY VIEWING THE MACHINE FACE OF THE MAIN VALVE.



RIGHT HAND ORIENTATION SHOWN
SEE NOTE 2

LIST OF MAJOR COMPONENTS			
ITEM	DESCRIPTION	MATERIAL	QTY
1	BODY-ZSBBS	SS 316L	1
2	TUBING-ELBOW 90° CROSS TUBE END	SS 316L	AR
3	TUBING-VALVE END 16G	SS 316L	1
4	FERRULE-CROSS TUBE END TC	SS 316L	AR
5	FERRULE-VALVE END TC	SS 316L	1
6	STUD		4
7	FERRULE-SAMPLE PORT END TC 00.50 x 01.12	SS 316L	1
	FERRULE-REDUCING SAMPLE PORT END TC 00.50 x 01.12	SS 316L	1
	FERRULE-SAMPLE PORT END TC 00.50 x 01.75	SS 316L	1
	FERRULE-REDUCING SAMPLE PORT END TC 00.50 x 01.75	SS 316L	1



P1 P2 P3 P4
 PURE-FLO ORDER: - ITEM: -
 CUSTOMER: -
 CUSTOMER PO: -
 OTHER INFO: -
 ISSUED BY: - CERTIFIED BY: -

THIS DOCUMENT IS THE SOLE PROPERTY OF ITT CORPORATION, OR ITS SUBSIDIARY, AND IS PROVIDED SUBJECT TO RETURN. IT IS ISSUED IN STRICT CONFIDENCE AND SHALL NOT BE REPRODUCED, OR COPIED, OR DISCLOSED IN WHOLE OR IN PART, OR USED AS THE BASIS FOR THE MANUFACTURE OR SALES OF APPARATUS OR PARTS TO WHICH THE DOCUMENT RELATES. WITHOUT THE EXPRESS WRITTEN CONSENT OF ITT CORPORATION, OR ITS SUBSIDIARY. THIS LEGEND SHALL BE MARKED ON ANY REPRODUCTION HEREOF, IN WHOLE OR IN PART. ALL RIGHTS TO THE INFORMATION AND DESIGN DISCLOSED HEREIN ARE RESERVED TO ITT CORPORATION, OR ITS SUBSIDIARY.

THIRD ANGLE PROJECTION
 UNLESS OTHERWISE SPECIFIED, ALL DIMENSIONS ARE IN INCHES

UNLESS OTHERWISE NOTED
 INCH MM
 .X ± 0.06 .X ± 0.15
 .XX ± 0.06 .XX ± 0.15
 .XXX ± 0.02 .XXX ± 0.05
 1/16 ± 0.0015 1/16 ± 0.0015

DATE BY
 DWN 06/30/08 MJM
 CHKD 06/30/08 JRD
 APVD 06/30/08 JRD

STANDARDS E-SERIES ZSBBS U-BENDS
 WEIR 00.50
 HORIZONTAL RUN x VERTICAL VALVE
 WT: - ECN# 11862 MASTER DWG 009705

ITT PureFlo
 www.ittpureflo.com
 SITE PA D 009705 REV -
 SHEET 1 OF 1