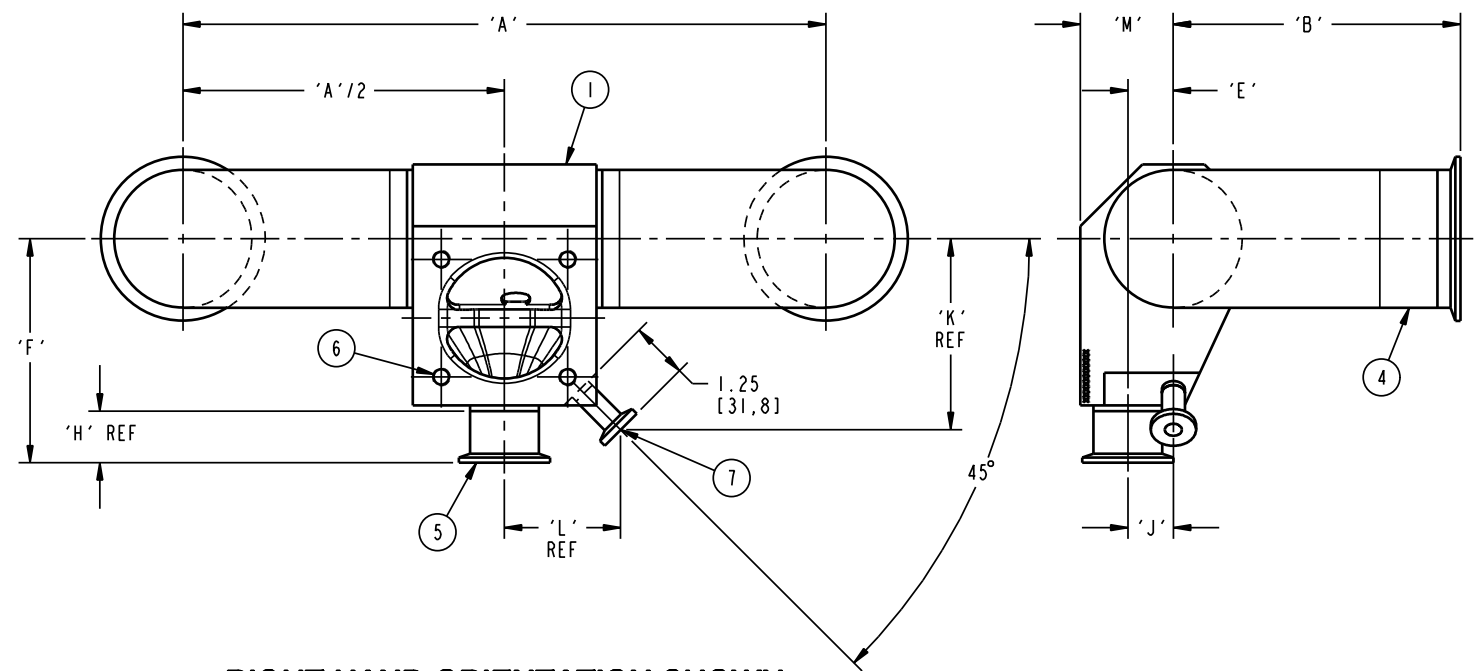
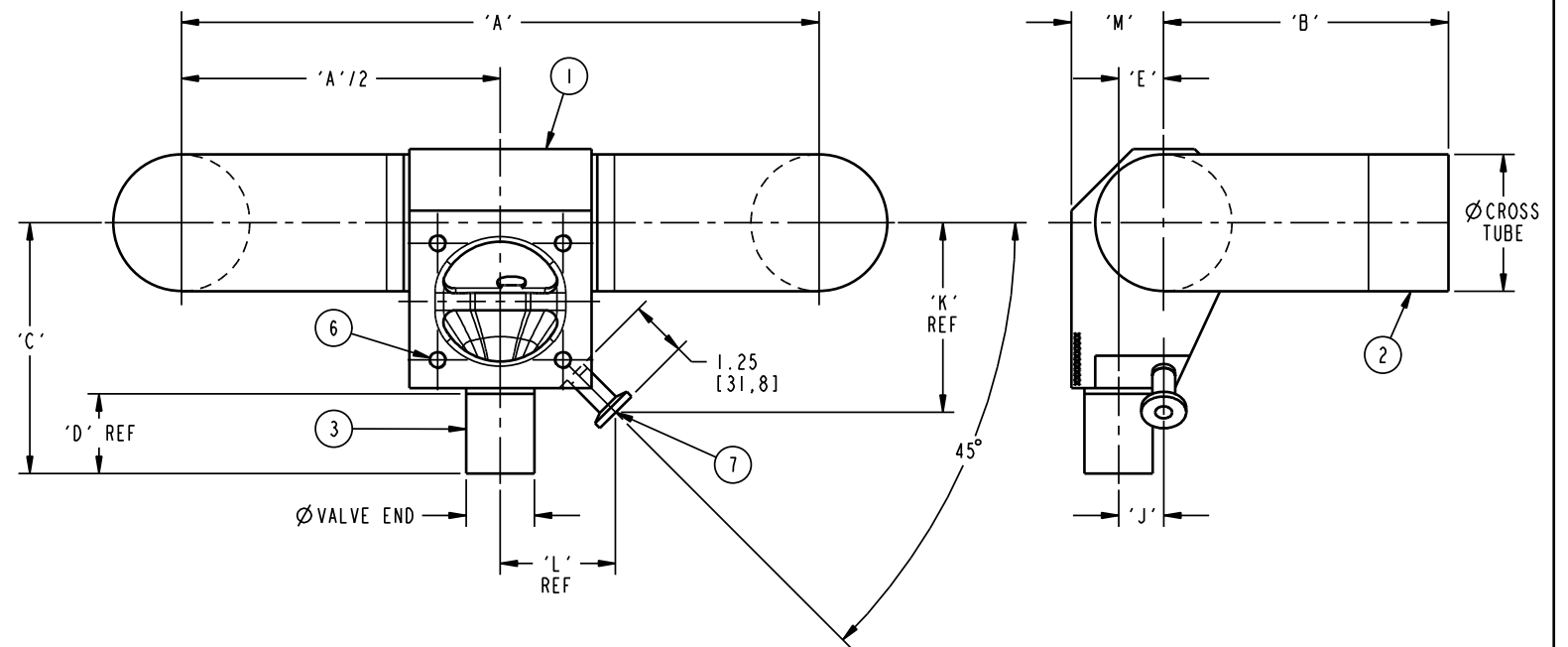


VALVE END	DIM'S	CROSS TUBE						
		0.75 [19,0]	1.00 [25,4]	1.50 [38,1]	2.00 [50,8]	2.50 [63,5]	3.00 [76,2]	4.00 [101,6]
0.75 [DN20]	'A'	5.00 [127,0]	6.12 [155,4]	8.50 [215,9]	11.00 [279,4]	12.50 [317,5]	14.00 [355,6]	17.00 [431,8]
	'B'	3.00 [76,2]	3.00 [76,2]	3.75 [95,2]	4.75 [120,6]	5.50 [139,7]	6.25 [158,8]	8.00 [203,2]
	'C'	3.25 [82,6]	3.38 [85,9]	3.65 [92,7]	3.91 [99,3]	4.17 [105,9]	4.43 [112,5]	4.95 [125,7]
	'D'	1.50 [38,1]	1.50 [38,1]	1.50 [38,1]	1.50 [38,1]	1.50 [38,1]	1.50 [38,1]	1.50 [38,1]
	'E'	0.26 [6,6]	0.46 [11,7]	0.73 [18,5]	0.93 [23,6]	1.09 [27,7]	1.23 [31,2]	1.68 [42,7]
	'F'	2.25 [57,2]	2.38 [60,5]	2.65 [67,3]	2.91 [73,9]	3.17 [80,5]	3.43 [87,1]	3.95 [100,3]
	'H'	0.50 [12,7]	0.50 [12,7]	0.50 [12,7]	0.50 [12,7]	0.50 [12,7]	0.50 [12,7]	0.50 [12,7]
	'J'	0.47 [11,9]	0.58 [14,7]	0.53 [13,5]	0.88 [22,4]	1.18 [30,0]	1.62 [41,1]	2.40 [61,0]
	'K'	2.19 [55,6]	2.32 [58,9]	2.59 [65,8]	2.84 [72,1]	3.09 [78,5]	3.34 [84,8]	3.83 [97,3]
	'L'	1.75 [44,5]	1.74 [44,2]	1.75 [44,3]	1.76 [44,6]	1.76 [44,6]	1.78 [45,2]	1.80 [45,7]
	'M'	0.70 [17,8]	0.89 [22,6]	1.17 [29,7]	1.36 [34,6]	1.53 [38,9]	1.67 [42,4]	2.11 [53,6]
1.00 [DN25]	'A'		6.12 [155,4]	8.50 [215,9]	11.00 [279,4]	12.50 [317,5]	14.00 [355,6]	17.00 [431,8]
	'B'		3.00 [76,2]	3.75 [95,2]	4.75 [120,6]	5.50 [139,7]	6.25 [158,8]	8.00 [203,2]
	'C'		3.63 [92,2]	3.90 [99,1]	4.16 [105,7]	4.42 [112,3]	4.68 [118,9]	5.19 [131,8]
	'D'		1.50 [38,1]	1.50 [38,1]	1.50 [38,1]	1.50 [38,1]	1.50 [38,1]	1.50 [38,1]
	'E'		0.28 [7,1]	0.59 [15,0]	0.81 [20,6]	0.98 [24,9]	1.15 [29,2]	1.44 [36,6]
	'F'		3.25 [82,6]	3.52 [89,4]	3.78 [96,0]	4.04 [102,6]	4.30 [109,2]	4.81 [122,2]
	'H'		1.12 [28,4]	1.12 [28,4]	1.12 [28,4]	1.12 [28,4]	1.12 [28,4]	1.12 [28,4]
	'J'		0.63 [16,0]	0.88 [22,4]	0.65 [16,5]	0.92 [23,4]	1.24 [31,5]	1.73 [43,9]
	'K'		2.52 [64,0]	2.78 [70,6]	3.05 [77,5]	3.31 [84,1]	3.56 [90,4]	4.05 [102,9]
	'L'		1.99 [50,5]	2.00 [50,8]	1.99 [50,5]	1.99 [50,5]	2.00 [50,8]	2.02 [51,3]
	'M'		0.96 [24,4]	1.26 [32,0]	1.48 [37,6]	1.65 [41,9]	1.82 [46,2]	2.11 [53,6]
1.50 [DN40]	'A'			8.50 [215,9]	11.00 [279,4]	12.50 [317,5]	14.00 [355,6]	17.00 [431,8]
	'B'			3.75 [95,2]	4.75 [120,6]	5.50 [139,7]	6.25 [158,8]	8.00 [203,2]
	'C'			4.46 [113,3]	4.73 [120,1]	4.99 [126,7]	5.25 [133,4]	5.76 [146,3]
	'D'			1.50 [38,1]	1.50 [38,1]	1.50 [38,1]	1.50 [38,1]	1.50 [38,1]
	'E'			0.23 [5,8]	0.55 [13,9]	0.79 [20,1]	0.99 [25,1]	1.32 [33,5]
	'F'			4.08 [103,6]	4.35 [110,5]	4.61 [117,1]	4.87 [123,7]	5.38 [136,7]
	'H'			1.12 [28,4]	1.12 [28,4]	1.12 [28,4]	1.12 [28,4]	1.12 [28,4]
	'J'			0.75 [19,0]	0.88 [22,4]	0.88 [22,4]	0.99 [25,1]	1.28 [32,5]
	'K'			3.35 [85,1]	3.63 [92,2]	3.90 [99,1]	4.16 [105,7]	4.66 [118,4]
	'L'			2.54 [64,5]	2.54 [64,5]	2.53 [64,3]	2.53 [64,3]	2.54 [64,5]
	'M'			1.26 [32,0]	1.58 [40,1]	1.82 [46,2]	2.02 [51,3]	2.35 [59,7]
2.00 [DN50]	'A'				11.00 [279,4]	12.50 [317,5]	14.00 [355,6]	17.00 [431,8]
	'B'				4.75 [120,6]	5.50 [139,7]	6.25 [158,8]	8.00 [203,2]
	'C'				5.28 [134,1]	5.55 [141,0]	5.82 [147,8]	6.32 [160,5]
	'D'				1.75 [44,4]	1.75 [44,4]	1.75 [44,4]	1.75 [44,4]
	'E'				0.28 [7,1]	0.59 [15,0]	0.83 [21,1]	1.21 [30,7]
	'F'				4.66 [118,4]	4.93 [125,2]	5.19 [131,8]	5.70 [144,8]
	'H'				1.12 [28,4]	1.12 [28,4]	1.12 [28,4]	1.12 [28,4]
	'J'				0.97 [24,6]	1.00 [25,4]	1.03 [26,2]	1.01 [25,7]
	'K'				3.93 [99,8]	4.20 [106,7]	4.47 [113,5]	4.99 [126,7]
	'L'				3.05 [77,5]	3.04 [77,2]	3.03 [77,0]	3.02 [76,7]
	'M'				1.60 [40,6]	1.92 [48,8]	2.15 [54,6]	2.54 [64,5]

NOTES:
 1. LEFT HAND AND RIGHT HAND ORIENTATION IS DETERMINED BY VIEWING THE MACHINE FACE OF THE MAIN VALVE.

LIST OF MAJOR COMPONENTS			
ITEM	DESCRIPTION	MATERIAL	QTY
1	BODY-ZSBBS	SS 316L	1
2	TUBING-ELBOW 90° CROSS TUBE END G16	SS 316L	AR
3	TUBING-VALVE END 16G	SS 316L	1
4	FERRULE-CROSS TUBE END TC	SS 316L	AR
5	FERRULE-VALVE END TC	SS 316L	1
6	STUD		4
7	FERRULE-SAMPLE PORT END TC 00.50 x 01.12	SS 316L	1
	FERRULE-REDUCING SAMPLE PORT END TC 00.50 x 01.12	SS 316L	1



RIGHT HAND ORIENTATION SHOWN
 SEE NOTE 1

P1 P2 P3 P4
 PURE-FLO ORDER: - ITEM: -
 CUSTOMER: -
 CUSTOMER PO: -
 OTHER INFO: -
 ISSUED BY: - CERTIFIED BY: -

THIS DOCUMENT IS THE SOLE PROPERTY OF ITT INDUSTRIES, INC., OR ITS SUBSIDIARY, AND IS PROVIDED SUBJECT TO RETURN. IT IS ISSUED IN STRICT CONFIDENCE AND SHALL NOT BE REPRODUCED, OR COPIED, OR DISCLOSED IN WHOLE OR IN PART, OR USED AS THE BASIS FOR THE MANUFACTURE OR SALES OF APPARATUS OR PARTS TO WHICH THE DOCUMENT RELATES, WITHOUT THE EXPRESS WRITTEN CONSENT OF ITT INDUSTRIES, INC., OR ITS SUBSIDIARY. THIS LEGEND SHALL BE MARKED ON ANY REPRODUCTION HEREOF, IN WHOLE OR IN PART. ALL RIGHTS TO THE INFORMATION AND DESIGN DISCLOSED HEREIN ARE RESERVED TO ITT INDUSTRIES, INC., OR ITS SUBSIDIARY.

THIRD ANGLE PROJECTION
 UNLESS OTHERWISE SPECIFIED, ALL DIMENSIONS ARE IN INCHES

UNLESS OTHERWISE NOTED
 INCH MM
 X: ± 0.06
 XX: ± 0.06
 XXX: ± 0.02
 1/2: ± 1/16
 1: ± 1/8
 1.5: ± 1/8
 2: ± 1/8
 3: ± 1/8
 4: ± 1/8

DATE BY
 DWN 01/26/05 JWP
 CHKD 01/28/05 JRD
 APVD 01/28/05 JRD

STANDARDS-ZSBBS U-BENDS
 WEIR 00.75 - 02.00
 HORIZONTAL RUN x VERTICAL VALVE
 WT: - ECN# 8555 MASTER DWG

ITT Pure-Flo
 www.ittpureflo.com
 SITE PA D 008884 REV -
 SHEET 1 OF 1