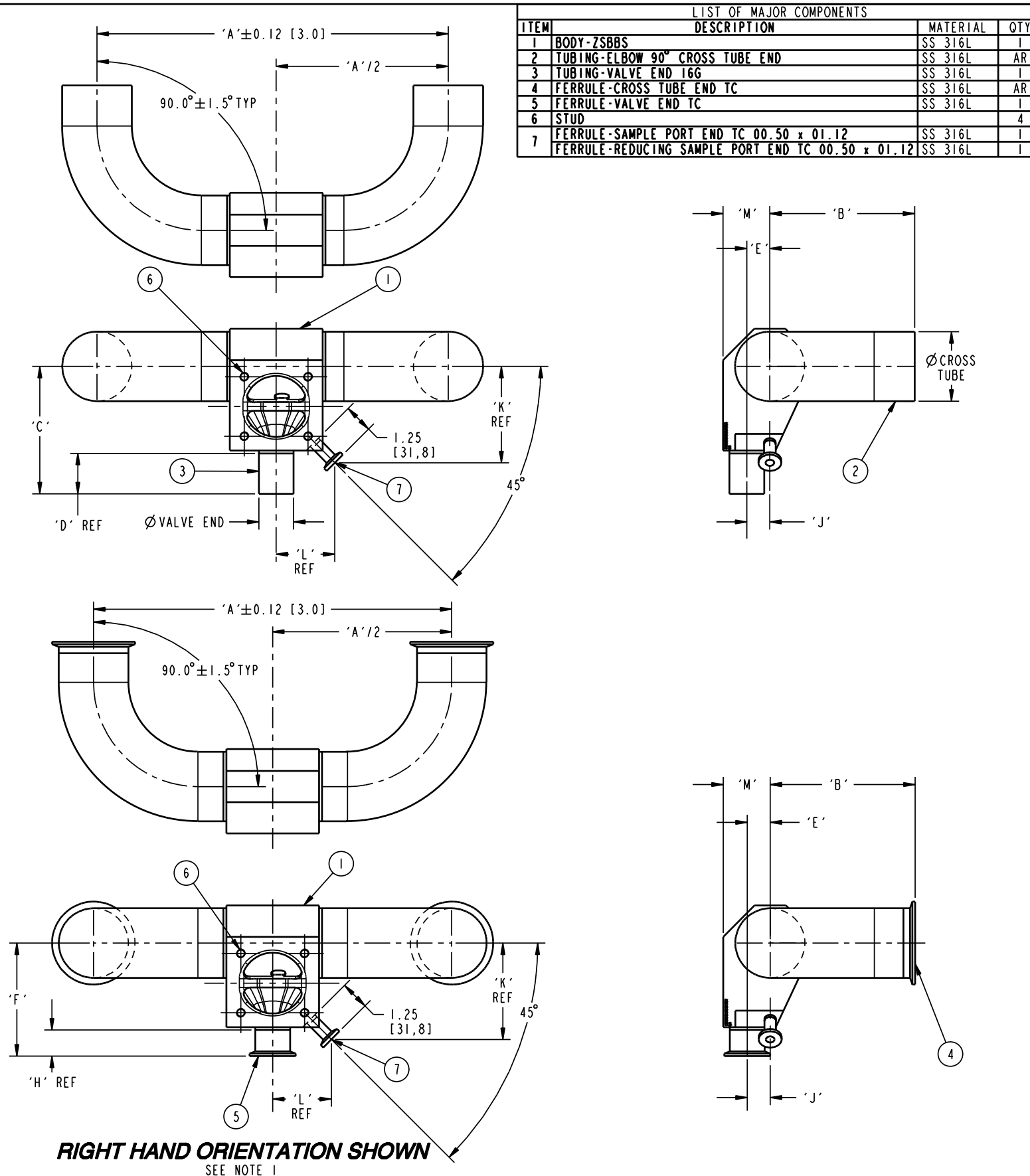


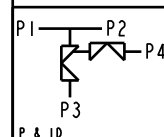
VALVE END	DIM'S	CROSS TUBE							
		0.75 [19,0]	1.00 [25,4]	1.50 [38,1]	2.00 [50,8]	2.50 [63,5]	3.00 [76,2]	4.00 [101,6]	
0.75 [19,0]	'A'	8.25 [209,6]	8.25 [209,6]	9.75 [247,7]	11.75 [298,5]	13.25 [336,6]	14.75 [374,7]	18.25 [463,6]	
	'B'	3.00 [76,2]	3.00 [76,2]	3.75 [95,2]	4.75 [120,6]	5.50 [139,7]	6.25 [158,8]	8.00 [203,2]	
	'C'	3.25 [82,6]	3.38 [85,9]	3.65 [92,7]	3.91 [99,3]	4.17 [105,9]	4.43 [112,5]	4.95 [125,7]	
	'D'	1.50 [38,1]	1.50 [38,1]	1.50 [38,1]	1.50 [38,1]	1.50 [38,1]	1.50 [38,1]	1.50 [38,1]	
	'E'	0.26 [6,6]	0.46 [11,7]	0.73 [18,5]	0.93 [23,6]	1.09 [27,7]	1.23 [31,2]	1.68 [42,7]	
	'F'	2.25 [57,2]	2.38 [60,5]	2.65 [67,3]	2.91 [73,9]	3.17 [80,5]	3.43 [87,1]	3.95 [100,3]	
	'H'	0.50 [12,7]	0.50 [12,7]	0.50 [12,7]	0.50 [12,7]	0.50 [12,7]	0.50 [12,7]	0.50 [12,7]	
	'J'	0.47 [11,9]	0.58 [14,7]	0.53 [13,5]	0.88 [22,4]	1.18 [30,0]	1.62 [41,1]	2.40 [61,0]	
	'K'	2.19 [55,6]	2.32 [58,9]	2.59 [65,8]	2.84 [72,1]	3.09 [78,5]	3.34 [84,8]	3.83 [97,3]	
	'L'	1.75 [44,4]	1.74 [44,2]	1.75 [44,4]	1.76 [44,7]	1.76 [44,7]	1.78 [45,2]	1.80 [45,7]	
	'M'	0.70 [17,8]	0.89 [22,6]	1.17 [29,7]	1.36 [34,5]	1.53 [38,9]	1.67 [42,4]	2.11 [53,6]	
1.00 [25,4]	'A'	8.25 [209,6]	9.75 [247,7]	11.75 [298,5]	13.25 [336,6]	14.75 [374,7]	18.25 [463,6]		
	'B'	3.00 [76,2]	3.75 [95,2]	4.75 [120,6]	5.50 [139,7]	6.25 [158,8]	8.00 [203,2]		
	'C'	3.63 [92,2]	3.90 [99,1]	4.16 [105,7]	4.42 [112,3]	4.68 [118,9]	5.19 [131,8]		
	'D'	1.50 [38,1]	1.50 [38,1]	1.50 [38,1]	1.50 [38,1]	1.50 [38,1]	1.50 [38,1]		
	'E'	0.28 [7,1]	0.59 [15,0]	0.81 [20,6]	0.98 [24,9]	1.15 [29,2]	1.44 [36,6]		
	'F'	3.25 [82,6]	3.52 [89,4]	3.78 [96,0]	4.04 [102,6]	4.30 [109,2]	4.81 [122,2]		
	'H'	1.12 [28,4]	1.12 [28,4]	1.12 [28,4]	1.12 [28,4]	1.12 [28,4]	1.12 [28,4]		
	'J'	0.63 [16,0]	0.88 [22,4]	0.65 [16,5]	0.92 [23,4]	1.24 [31,5]	1.73 [43,9]		
	'K'	2.52 [64,0]	2.78 [70,6]	3.05 [77,5]	3.31 [84,1]	3.56 [90,4]	4.05 [102,9]		
	'L'	1.99 [50,5]	2.00 [50,8]	1.99 [50,5]	1.99 [50,5]	2.00 [50,8]	2.02 [51,3]		
	'M'	0.96 [24,4]	1.26 [32,0]	1.48 [37,6]	1.65 [41,9]	1.82 [46,2]	2.11 [53,6]		
1.50 [38,1]	'A'	11.75 [298,5]	13.75 [349,3]	15.25 [387,4]	16.75 [425,5]	20.25 [514,4]			
	'B'	3.75 [95,2]	4.75 [120,6]	5.50 [139,7]	6.25 [158,8]	8.00 [203,2]			
	'C'	4.46 [113,3]	4.73 [120,1]	4.99 [126,7]	5.25 [133,4]	5.76 [146,3]			
	'D'	1.50 [38,1]	1.50 [38,1]	1.50 [38,1]	1.50 [38,1]	1.50 [38,1]			
	'E'	0.23 [5,8]	0.55 [14,0]	0.79 [20,1]	0.99 [25,1]	1.32 [33,5]			
	'F'	4.08 [103,6]	4.35 [110,5]	4.61 [117,1]	4.87 [123,7]	5.38 [136,7]			
	'H'	1.12 [28,4]	1.12 [28,4]	1.12 [28,4]	1.12 [28,4]	1.12 [28,4]			
	'J'	0.75 [19,0]	0.88 [22,4]	0.88 [22,4]	0.99 [25,1]	1.28 [32,5]			
	'K'	3.35 [85,1]	3.63 [92,2]	3.90 [99,1]	4.16 [105,7]	4.66 [118,4]			
	'L'	2.54 [64,5]	2.54 [64,5]	2.53 [64,3]	2.53 [64,3]	2.54 [64,5]			
	'M'	1.26 [32,0]	1.58 [40,1]	1.82 [46,2]	2.02 [51,3]	2.35 [59,7]			
2.00 [50,8]	'A'	14.75 [374,7]	16.25 [412,8]	17.75 [450,9]	21.25 [539,8]				
	'B'	4.75 [120,6]	5.50 [139,7]	6.25 [158,8]	8.00 [203,2]				
	'C'	5.29 [134,4]	5.56 [141,2]	5.82 [147,8]	6.33 [160,8]				
	'D'	1.75 [44,4]	1.75 [44,4]	1.75 [44,4]	1.75 [44,4]				
	'E'	0.29 [7,4]	0.60 [15,2]	0.84 [21,3]	1.22 [31,0]				
	'F'	4.66 [118,4]	4.93 [125,2]	5.19 [131,8]	5.70 [144,8]				
	'H'	1.12 [28,4]	1.12 [28,4]	1.12 [28,4]	1.12 [28,4]				
	'J'	0.97 [24,6]	1.00 [25,4]	1.03 [26,2]	1.01 [25,7]				
	'K'	3.93 [99,8]	4.20 [106,7]	4.47 [113,5]	4.99 [126,7]				
	'L'	3.05 [77,5]	3.04 [77,2]	3.03 [77,0]	3.02 [76,7]				
	'M'	1.60 [40,6]	1.92 [48,8]	2.15 [54,6]	2.54 [64,5]				

NOTES:  
1. LEFT HAND AND RIGHT HAND ORIENTATION IS DETERMINED BY VIEWING THE MACHINE FACE OF THE MAIN VALVE.



LIST OF MAJOR COMPONENTS			
ITEM	DESCRIPTION	MATERIAL	QTY
1	BODY-ZSBBS	SS 316L	1
2	TUBING-ELBOW 90° CROSS TUBE END	SS 316L	AR
3	TUBING-VALVE END 16G	SS 316L	1
4	FERRULE-CROSS TUBE END TC	SS 316L	AR
5	FERRULE-VALVE END TC	SS 316L	1
6	STUD		4
7	FERRULE-SAMPLE PORT END TC 00.50 x 01.12	SS 316L	1
	FERRULE-REDUCING SAMPLE PORT END TC 00.50 x 01.12	SS 316L	1

RIGHT HAND ORIENTATION SHOWN  
SEE NOTE 1



PURE-FLO ORDER: - ITEM: -  
CUSTOMER: -  
CUSTOMER PO: -  
OTHER INFO: -  
ISSUED BY: - CERTIFIED BY: -

THIS DOCUMENT IS THE SOLE PROPERTY OF ITT CORPORATION, OR ITS SUBSIDIARY, AND IS PROVIDED SUBJECT TO RETURN. IT IS ISSUED IN STRICT CONFIDENCE AND SHALL NOT BE REPRODUCED, OR COPIED, OR DISCLOSED IN WHOLE OR IN PART, OR USED AS THE BASIS FOR THE MANUFACTURE OR SALES OF APPARATUS OR PARTS TO WHICH THE DOCUMENT RELATES, WITHOUT THE EXPRESS WRITTEN CONSENT OF ITT CORPORATION, OR ITS SUBSIDIARY. THIS LEGEND SHALL BE MARKED ON ANY REPRODUCTION HEREOF, IN WHOLE OR IN PART. ALL RIGHTS TO THE INFORMATION AND DESIGN DISCLOSED HEREIN ARE RESERVED TO ITT CORPORATION, OR ITS SUBSIDIARY.

THIRD ANGLE PROJECTION  
UNLESS OTHERWISE SPECIFIED, ALL DIMENSIONS ARE IN INCHES

UNLESS OTHERWISE NOTED  
INCH  
X: ± 0.06  
XX: ± 0.06  
XXX: ± 0.02  
1/2: ± 0.015  
1/16: ± 0.005  
MM  
X: ± 1.5  
XX: ± 1.5  
XXX: ± 0.5  
1/2: ± 0.125  
1/16: ± 0.031

DATE BY  
DWN 06/30/08 MJM  
CHKD 06/30/08 JRD  
APVD 06/30/08 JRD

STANDARDS E-SERIES ZSBBS U-BENDS  
WEIR 00.75-02.00  
HORIZONTAL RUN x VERTICAL VALVE  
WT: - ECN# 11862 MASTER DWG 009707

ITT  
Pure-Flo  
www.ittpureflo.com  
SITE PA D 009707 REV -  
SHEET 1 OF 1