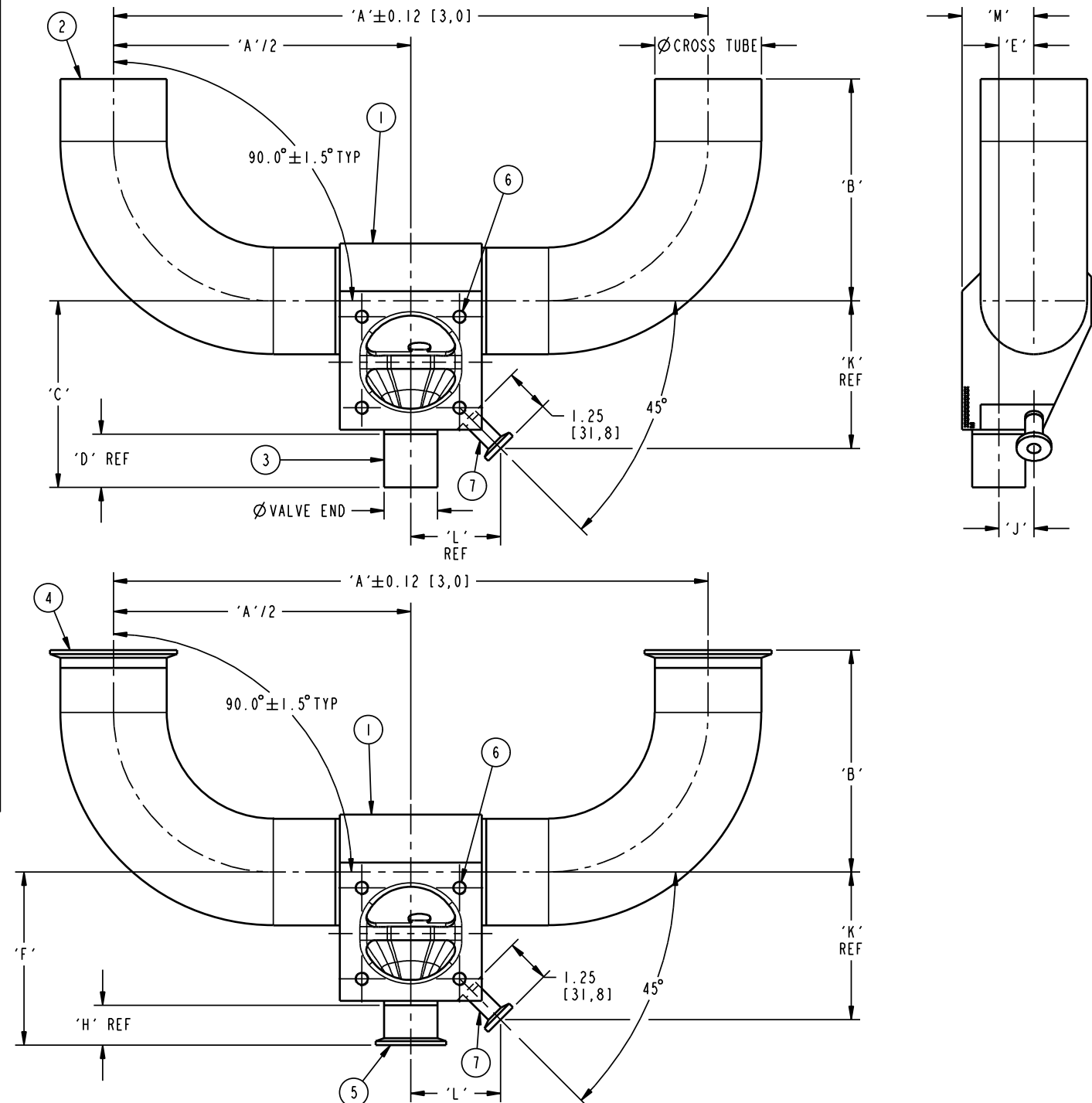


VALVE END	DIM'S	CROSS TUBE							
		0.75 [19,0]	1.00 [25,4]	1.50 [38,1]	2.00 [50,8]	2.50 [63,5]	3.00 [76,2]	4.00 [101,6]	
0.75 [DN20]	'A'	8.25 [209,6]	8.25 [209,6]	9.75 [247,7]	11.75 [298,5]	13.25 [336,6]	14.75 [374,7]	18.25 [463,6]	
	'B'	3.00 [76,2]	3.00 [76,2]	3.75 [95,2]	4.75 [120,6]	5.50 [139,7]	6.25 [158,8]	8.00 [203,2]	
	'C'	3.25 [82,6]	3.38 [85,9]	3.65 [92,7]	3.91 [99,3]	4.17 [105,9]	4.43 [112,5]	4.95 [125,7]	
	'D'	1.50 [38,1]	1.50 [38,1]	1.50 [38,1]	1.50 [38,1]	1.50 [38,1]	1.50 [38,1]	1.50 [38,1]	
	'E'	0.26 [6,6]	0.46 [11,7]	0.73 [18,5]	0.93 [23,6]	1.09 [27,7]	1.23 [31,2]	1.68 [42,7]	
	'F'	2.25 [57,2]	2.38 [60,5]	2.65 [67,3]	2.91 [73,9]	3.17 [80,5]	3.43 [87,1]	3.95 [100,3]	
	'H'	0.50 [12,7]	0.50 [12,7]	0.50 [12,7]	0.50 [12,7]	0.50 [12,7]	0.50 [12,7]	0.50 [12,7]	
	'J'	0.47 [11,9]	0.58 [14,7]	0.53 [13,5]	0.88 [22,4]	1.18 [30,0]	1.62 [41,1]	2.40 [61,0]	
	'K'	2.19 [55,6]	2.32 [58,9]	2.59 [65,8]	2.84 [72,1]	3.09 [78,5]	3.34 [84,8]	3.83 [97,3]	
	'L'	1.75 [44,4]	1.74 [44,2]	1.75 [44,4]	1.76 [44,7]	1.76 [44,7]	1.78 [45,2]	1.80 [45,7]	
	'M'	0.70 [17,8]	0.89 [22,6]	1.17 [29,7]	1.36 [34,5]	1.53 [38,9]	1.67 [42,4]	2.11 [53,6]	
1.00 [DN25]	'A'	8.25 [209,6]	9.75 [247,7]	11.75 [298,5]	13.25 [336,6]	14.75 [374,7]	18.25 [463,6]		
	'B'	3.00 [76,2]	3.75 [95,2]	4.75 [120,6]	5.50 [139,7]	6.25 [158,8]	8.00 [203,2]		
	'C'	3.63 [92,2]	3.90 [99,1]	4.16 [105,7]	4.42 [112,3]	4.68 [118,9]	5.19 [131,8]		
	'D'	1.50 [38,1]	1.50 [38,1]	1.50 [38,1]	1.50 [38,1]	1.50 [38,1]	1.50 [38,1]		
	'E'	0.28 [7,1]	0.59 [15,0]	0.81 [20,6]	0.98 [24,9]	1.15 [29,2]	1.44 [36,6]		
	'F'	3.25 [82,6]	3.52 [89,4]	3.78 [96,0]	4.04 [102,6]	4.30 [109,2]	4.81 [122,2]		
	'H'	1.12 [28,4]	1.12 [28,4]	1.12 [28,4]	1.12 [28,4]	1.12 [28,4]	1.12 [28,4]		
	'J'	0.63 [16,0]	0.88 [22,4]	0.65 [16,5]	0.92 [23,4]	1.24 [31,5]	1.73 [43,9]		
	'K'	2.52 [64,0]	2.78 [70,6]	3.05 [77,5]	3.31 [84,1]	3.56 [90,4]	4.05 [102,9]		
	'L'	1.99 [50,5]	2.00 [50,8]	1.99 [50,5]	1.99 [50,5]	2.00 [50,8]	2.02 [51,3]		
	'M'	0.96 [24,4]	1.26 [32,0]	1.48 [37,6]	1.65 [41,9]	1.82 [46,2]	2.11 [53,6]		
1.50 [DN40]	'A'	11.75 [298,5]	13.75 [349,3]	15.25 [387,4]	16.75 [425,5]	20.25 [514,4]			
	'B'	3.75 [95,2]	4.75 [120,6]	5.50 [139,7]	6.25 [158,8]	8.00 [203,2]			
	'C'	4.46 [113,3]	4.73 [120,1]	4.99 [126,7]	5.25 [133,4]	5.76 [146,3]			
	'D'	1.50 [38,1]	1.50 [38,1]	1.50 [38,1]	1.50 [38,1]	1.50 [38,1]			
	'E'	0.23 [5,8]	0.55 [14,0]	0.79 [20,1]	0.99 [25,1]	1.32 [33,5]			
	'F'	4.08 [103,6]	4.35 [110,5]	4.61 [117,1]	4.87 [123,7]	5.38 [136,7]			
	'H'	1.12 [28,4]	1.12 [28,4]	1.12 [28,4]	1.12 [28,4]	1.12 [28,4]			
	'J'	0.75 [19,0]	0.88 [22,4]	0.88 [22,4]	0.99 [25,1]	1.28 [32,5]			
	'K'	3.35 [85,1]	3.63 [92,2]	3.90 [99,1]	4.16 [105,7]	4.66 [118,4]			
	'L'	2.54 [64,5]	2.54 [64,5]	2.53 [64,3]	2.53 [64,3]	2.54 [64,5]			
	'M'	1.26 [32,0]	1.58 [40,1]	1.82 [46,2]	2.02 [51,3]	2.35 [59,7]			
2.00 [DN50]	'A'	14.75 [374,7]	16.25 [412,8]	17.75 [450,9]	21.25 [539,8]				
	'B'	4.75 [120,6]	5.50 [139,7]	6.25 [158,8]	8.00 [203,2]				
	'C'	5.29 [134,4]	5.56 [141,2]	5.82 [147,8]	6.33 [160,8]				
	'D'	1.75 [44,4]	1.75 [44,4]	1.75 [44,4]	1.75 [44,4]				
	'E'	0.29 [7,4]	0.60 [15,2]	0.84 [21,3]	1.22 [31,0]				
	'F'	4.66 [118,4]	4.93 [125,2]	5.19 [131,8]	5.70 [144,8]				
	'H'	1.12 [28,4]	1.12 [28,4]	1.12 [28,4]	1.12 [28,4]				
	'J'	0.97 [24,6]	1.00 [25,4]	1.03 [26,2]	1.01 [25,7]				
	'K'	3.93 [99,8]	4.20 [106,7]	4.47 [113,5]	4.99 [126,7]				
	'L'	3.05 [77,5]	3.04 [77,2]	3.03 [77,0]	3.02 [76,7]				
	'M'	1.60 [40,6]	1.92 [48,8]	2.15 [54,6]	2.54 [64,5]				

NOTES:
1. LEFT HAND AND RIGHT HAND ORIENTATION IS DETERMINED BY VIEWING THE MACHINE FACE OF THE MAIN VALVE.

LIST OF MAJOR COMPONENTS			
ITEM	DESCRIPTION	MATERIAL	QTY.
1	BODY-ZSBBS	STN STL 316L	1
2	TUBING-ELBOW 90° CROSS TUBE END	STN STL 316L	AR
3	TUBING-VALVE END 16G	STN STL 316L	1
4	FERRULE-CROSS TUBE END TC	STN STL 316L	AR
5	FERRULE-VALVE END TC	STN STL 316L	1
6	STUD		4
7	FERRULE-SAMPLE PORT END TC 00.50 x 01.12	STN STL 316L	1
	FERRULE-REDUCING SAMPLE PORT END TC 00.50 x 01.12	STN STL 316L	1



RIGHT HAND ORIENTATION SHOWN

SEE NOTE 1

P1 P2 P3 P4

PURE-FLO ORDER: - ITEM: -

CUSTOMER: -

CUSTOMER PO: -

OTHER INFO: -

ISSUED BY: - CERTIFIED BY: -

THIS DOCUMENT IS THE SOLE PROPERTY OF ITT CORPORATION, OR ITS SUBSIDIARY, AND IS PROVIDED SUBJECT TO RETURN. IT IS ISSUED IN STRICT CONFIDENCE AND SHALL NOT BE REPRODUCED, OR COPIED, OR DISCLOSED IN WHOLE OR IN PART, OR USED AS THE BASIS FOR THE MANUFACTURE OR SALES OF APPARATUS OR PARTS TO WHICH THE DOCUMENT RELATES, WITHOUT THE EXPRESS WRITTEN CONSENT OF ITT CORPORATION, OR ITS SUBSIDIARY. THIS LEGEND SHALL BE MARKED ON ANY REPRODUCTION HEREOF, IN WHOLE OR IN PART. ALL RIGHTS TO THE INFORMATION AND DESIGN DISCLOSED HEREIN ARE RESERVED TO ITT CORPORATION, OR ITS SUBSIDIARY.

THIRD ANGLE PROJECTION

UNLESS OTHERWISE SPECIFIED, ALL DIMENSIONS ARE IN INCHES

UNLESS OTHERWISE NOTED

INCH MM

X: ±0.06 ±0.15

XX: ±0.06 ±0.15

XXX: ±0.02 ±0.05

1/2: ±0.01 ±0.02

1/16: ±0.005 ±0.01

DATE BY

06/24/08 MJM

06/24/08 JRD

06/24/08 JRD

STANDARDS E-SERIES ZSBBS U-BENDS WEIR 00.75 - 02.00 VERTICAL RUN x VERTICAL VALVE

WT: - ECN# 11862 MASTER DWG 009706

ITT PureFlo www.ittpureflo.com

SITE PA D 009706 REV -

SHEET 1 OF 1