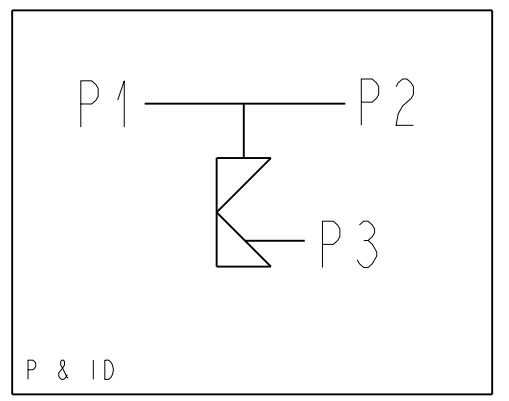
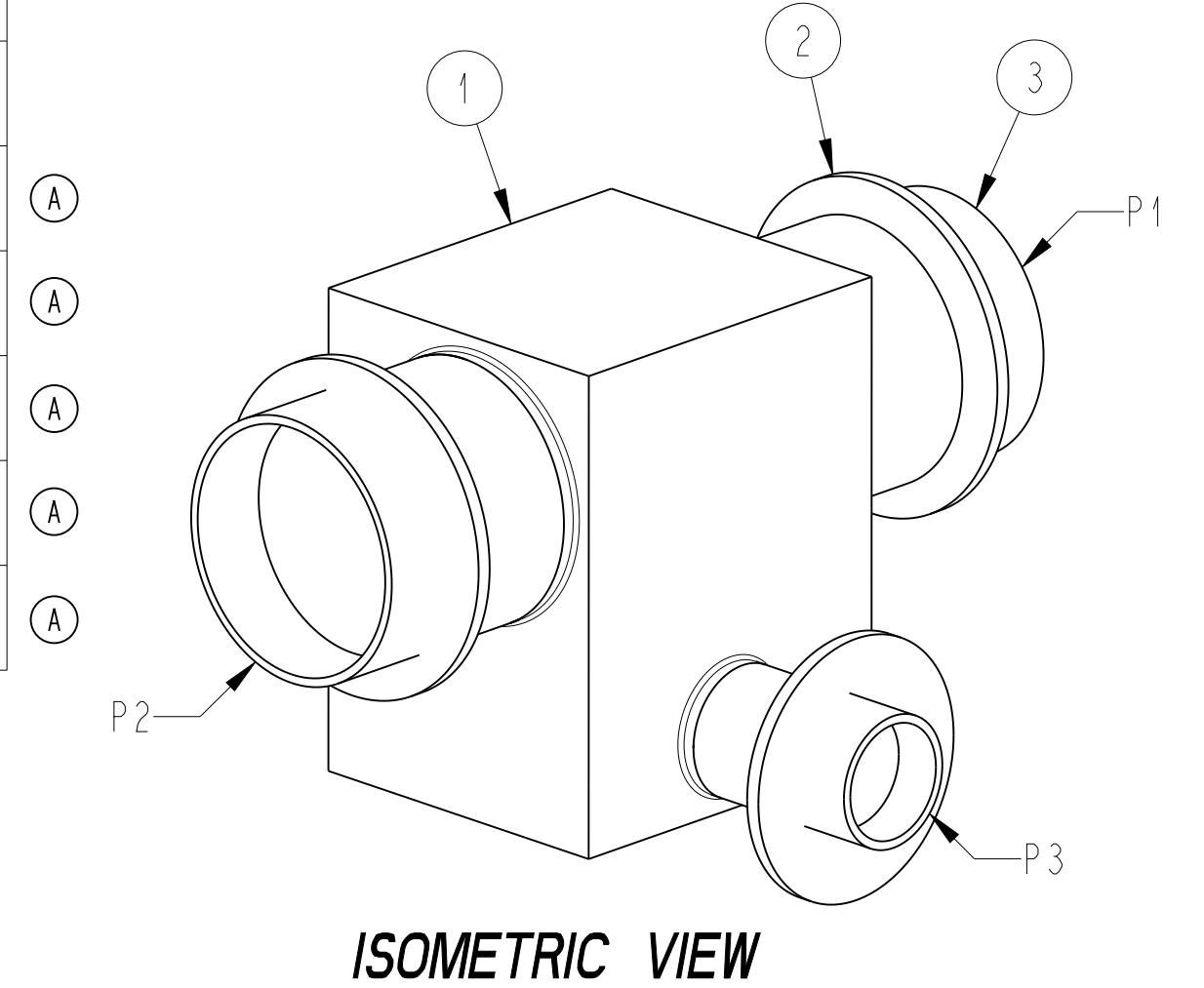


LIST OF MAJOR COMPONENTS	
ITEM	DESCRIPTION
1	ZERO STATIC BACK-OUTLET, (123679)
2	FERRULE TRI-CLAMP
3	TUBE 01.00-16GA

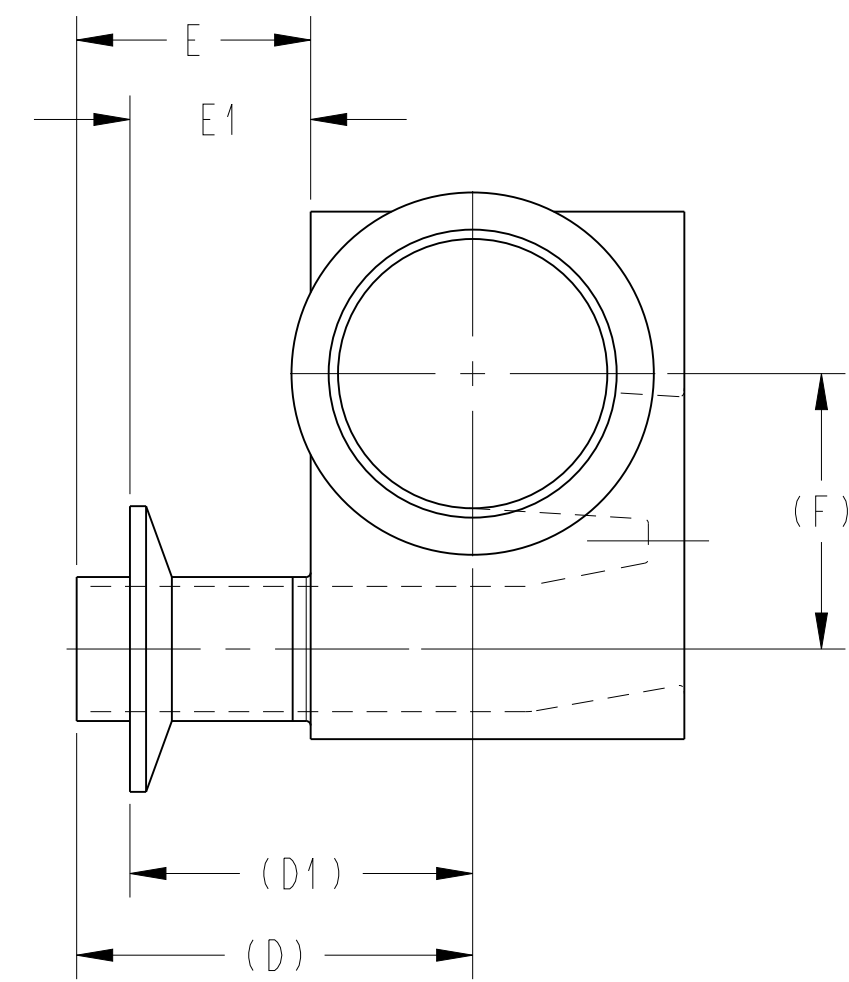


L/D = 2.2

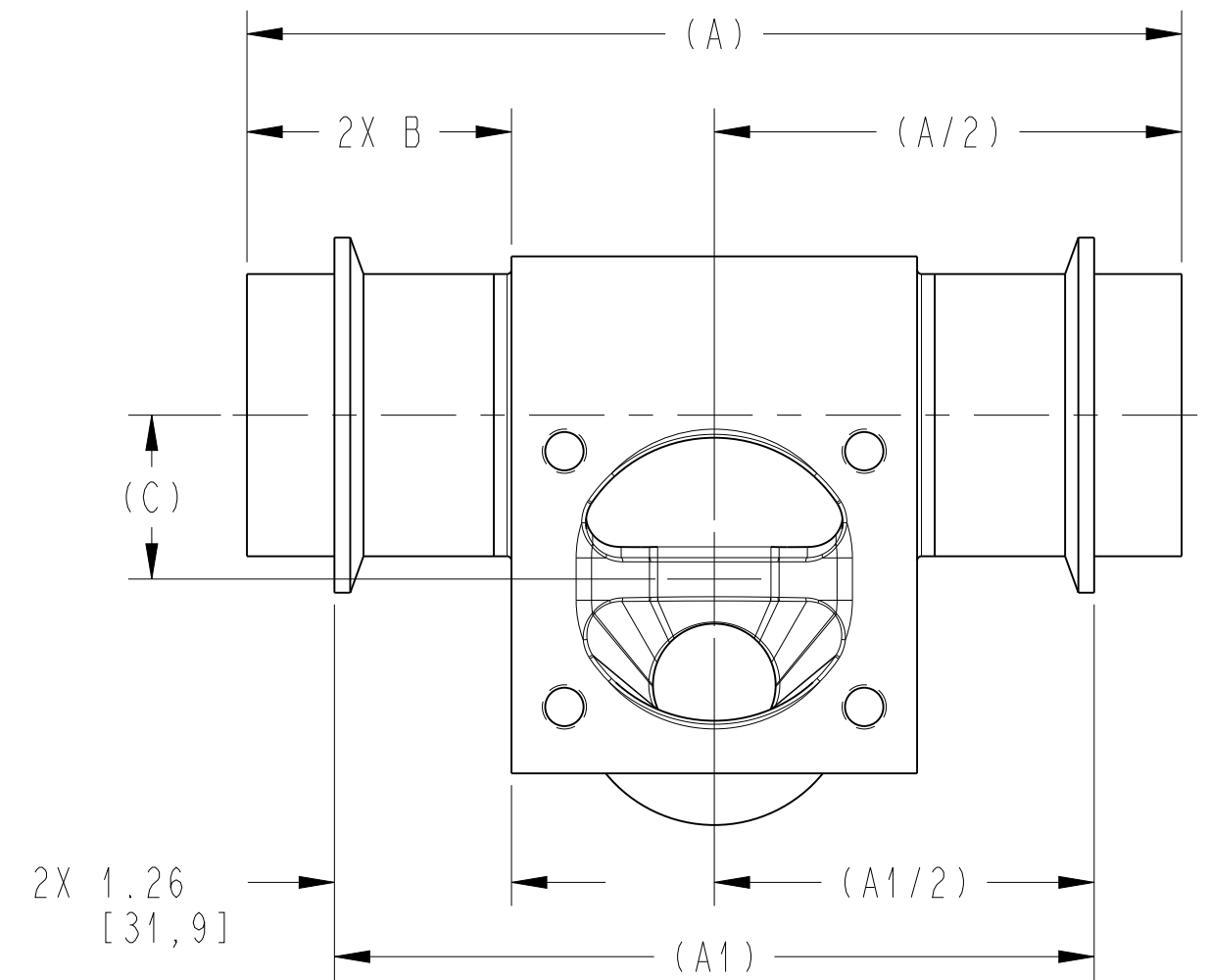


(A)
(A)
(A)
(A)
(A)

ISOMETRIC VIEW



SIDE VIEW



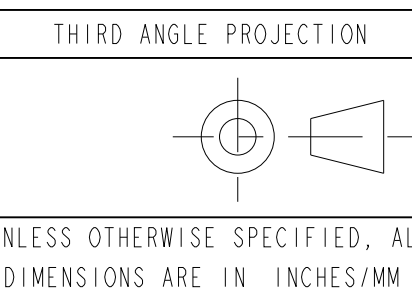
FRONT VIEW

RUN X VALVE	(A)	(A1)	B	(C)	(D)	(D1)	E	E1	(F)
1/2" X 1/2" BP	(4.63) [117,5]	(3.89) [98,7]	1.63 [41,3]	(0.30) [7,6]	(2.00) [50,8]	(1.00) [25,4]	1.63 [41,3]	0.63 [15,9]	(0.61) [15,5]
3/4" X 1/2" BP	(4.63) [117,5]	(3.89) [98,7]	1.63 [41,3]	(0.43) [11,0]	(2.13) [54,0]	(1.13) [28,6]	1.63 [41,3]	0.63 [15,9]	(0.75) [18,9]
1" X 1/2" BP	(4.63) [117,5]	(3.89) [98,7]	1.63 [41,3]	(0.57) [14,4]	(2.25) [57,2]	(1.25) [31,8]	1.63 [41,3]	0.63 [15,9]	(0.88) [22,3]
1-1/2" X 1/2" BP	(4.63) [117,5]	(3.89) [98,7]	1.63 [41,3]	(0.83) [21,0]	(2.50) [63,5]	(1.50) [38,1]	1.63 [41,3]	0.63 [15,9]	(1.14) [28,9]
2" X 1/2" BP	(5.13) [130,2]	(3.89) [98,7]	1.88 [47,6]	(1.09) [27,6]	(2.75) [69,9]	(1.75) [44,5]	1.63 [41,3]	0.63 [15,9]	(1.40) [35,5]
2-1/2" X 1/2" BP	(5.13) [130,2]	(3.89) [98,7]	1.88 [47,6]	(1.35) [34,4]	(3.00) [76,2]	(2.00) [50,8]	1.63 [41,3]	0.63 [15,9]	(1.66) [42,3]
3" X 1/2" BP	(5.13) [130,2]	(3.89) [98,7]	1.88 [47,6]	(1.62) [41,1]	(3.25) [82,6]	(2.25) [57,2]	1.63 [41,3]	0.63 [15,9]	(1.93) [49,0]
4" X 1/2" BP	(5.63) [142,9]	(3.89) [98,7]	2.13 [54,0]	(2.13) [54,2]	(3.75) [95,3]	(2.75) [69,9]	1.63 [41,3]	0.63 [15,9]	(2.44) [62,1]
1/2" X 1/2" BT	(4.81) [122,2]	(4.07) [103,4]	1.63 [41,3]	(0.30) [7,6]	(2.00) [50,8]	(1.00) [25,4]	1.63 [41,3]	0.63 [15,9]	(0.61) [15,5]
3/4" X 1/2" BT	(4.81) [122,2]	(4.07) [103,4]	1.63 [41,3]	(0.43) [11,0]	(2.13) [54,0]	(1.13) [28,6]	1.63 [41,3]	0.63 [15,9]	(0.74) [18,9]
1" X 1/2" BT	(4.81) [122,2]	(4.07) [103,4]	1.63 [41,3]	(0.57) [14,4]	(2.25) [57,2]	(1.25) [31,8]	1.63 [41,3]	0.63 [15,9]	(0.88) [22,3]
1-1/2" X 1/2" BT	(4.81) [122,2]	(4.07) [103,4]	1.63 [41,3]	(0.83) [21,1]	(2.50) [63,5]	(1.50) [38,1]	1.63 [41,3]	0.63 [15,9]	(1.14) [29,0]
2" X 1/2" BT	(5.31) [134,9]	(4.07) [103,4]	1.88 [47,6]	(1.09) [27,7]	(2.75) [69,9]	(1.75) [44,5]	1.63 [41,3]	0.63 [15,9]	(1.40) [35,6]
2-1/2" X 1/2" BT	(5.31) [134,9]	(4.07) [103,4]	1.88 [47,6]	(1.35) [34,4]	(3.00) [76,2]	(2.00) [50,8]	1.63 [41,3]	0.63 [15,9]	(1.66) [42,3]
3" X 1/2" BT	(5.31) [134,9]	(4.07) [103,4]	1.88 [47,6]	(1.62) [41,1]	(3.25) [82,6]	(2.25) [57,2]	1.63 [41,3]	0.63 [15,9]	(1.93) [49,0]
4" X 1/2" BT	(5.81) [147,6]	(4.07) [103,4]	2.13 [54,0]	(2.13) [54,2]	(3.75) [95,3]	(2.75) [69,9]	1.63 [41,3]	0.63 [15,9]	(2.44) [62,1]
1/2" X 1/2"	(5.25) [133,4]	(4.51) [114,6]	1.63 [41,3]	(0.34) [8,5]	(2.00) [50,8]	(1.00) [25,4]	1.63 [41,3]	0.63 [15,9]	(0.79) [20,0]
3/4" X 1/2"	(5.25) [133,4]	(4.51) [114,6]	1.63 [41,3]	(0.47) [12,1]	(2.13) [54,0]	(1.13) [28,6]	1.63 [41,3]	0.63 [15,9]	(0.93) [23,5]
1" X 1/2"	(5.25) [133,4]	(4.51) [114,6]	1.63 [41,3]	(0.61) [15,5]	(2.25) [57,2]	(1.25) [31,8]	1.63 [41,3]	0.63 [15,9]	(1.06) [26,9]
1-1/2" X 1/2"	(5.25) [133,4]	(4.51) [114,6]	1.63 [41,3]	(0.87) [22,2]	(2.50) [63,5]	(1.50) [38,1]	1.63 [41,3]	0.63 [15,9]	(1.32) [33,6]
2" X 1/2"	(5.75) [146,1]	(4.51) [114,6]	1.88 [47,6]	(1.13) [28,8]	(2.75) [69,9]	(1.75) [44,5]	1.63 [41,3]	0.63 [15,9]	(1.59) [40,3]
2-1/2" X 1/2"	(5.75) [146,1]	(4.51) [114,6]	1.88 [47,6]	(1.39) [35,4]	(3.00) [76,2]	(2.00) [50,8]	1.63 [41,3]	0.63 [15,9]	(1.84) [46,9]
3" X 1/2"	(5.75) [146,1]	(4.51) [114,6]	1.88 [47,6]	(1.65) [42,0]	(3.25) [82,6]	(2.25) [57,2]	1.63 [41,3]	0.63 [15,9]	(2.11) [53,5]
4" X 1/2"	(6.25) [158,8]	(4.51) [114,6]	2.13 [54,0]	(2.17) [55,1]	(3.75) [95,3]	(2.75) [69,9]	1.63 [41,3]	0.63 [15,9]	(2.62) [66,5]
3/4" X 3/4"	(5.75) [146,1]	(5.01) [127,3]	1.63 [41,3]	(0.47) [11,9]	(2.13) [54,0]	(1.13) [28,6]	1.63 [41,3]	0.63 [15,9]	(1.04) [26,4]
1" X 3/4"	(5.75) [146,1]	(5.01) [127,3]	1.63 [41,3]	(0.60) [15,3]	(2.25) [57,2]	(1.25) [31,8]	1.63 [41,3]	0.63 [15,9]	(1.18) [29,9]
1-1/2" X 3/4"	(5.75) [146,1]	(5.01) [127,3]	1.63 [41,3]	(0.87) [22,1]	(2.50) [63,5]	(1.50) [38,1]	1.63 [41,3]	0.63 [15,9]	(1.44) [36,7]
2" X 3/4"	(6.25) [158,8]	(5.01) [127,3]	1.88 [47,6]	(1.13) [28,8]	(2.75) [69,9]	(1.75) [44,5]	1.63 [41,3]	0.63 [15,9]	(1.71) [43,4]
2-1/2" X 3/4"	(6.25) [158,8]	(5.01) [127,3]	1.88 [47,6]	(1.39) [35,4]	(3.00) [76,2]	(2.00) [50,8]	1.63 [41,3]	0.63 [15,9]	(1.97) [50,0]
3" X 3/4"	(6.25) [158,8]	(5.01) [127,3]	1.88 [47,6]	(1.65) [42,0]	(3.25) [82,6]	(2.25) [57,2]	1.63 [41,3]	0.63 [15,9]	(2.23) [56,6]
4" X 3/4"	(6.75) [171,5]	(5.01) [127,3]	2.13 [54,0]	(2.16) [55,0]	(3.75) [95,3]	(2.75) [69,9]	1.63 [41,3]	0.63 [15,9]	(2.74) [69,5]

RUN X VALVE	(A)	(A1)	B	(C)	(D)	(D1)	E	E1	(F)
1" X 1"	(6.13) [155,6]	(5.39) [136,8]	1.63 [41,3]	(0.63) [15,9]	(2.25) [57,2]	(1.88) [47,8]	1.63 [41,3]	1.26 [31,9]	(1.38) [35,0]
1-1/2" X 1"	(6.13) [155,6]	(5.39) [136,8]	1.63 [41,3]	(0.90) [22,8]	(2.50) [63,5]	(2.13) [54,1]	1.63 [41,3]	1.26 [31,9]	(1.65) [41,9]
2" X 1"	(6.63) [168,3]	(5.39) [136,8]	1.88 [47,6]	(1.16) [29,5]	(2.75) [69,9]	(2.38) [60,5]	1.63 [41,3]	1.26 [31,9]	(1.91) [48,6]
2-1/2" X 1"	(6.63) [168,3]	(5.39) [136,8]	1.88 [47,6]	(1.42) [36,1]	(3.00) [76,2]	(2.63) [66,8]	1.63 [41,3]	1.26 [31,9]	(2.17) [55,2]
3" X 1"	(6.63) [168,3]	(5.39) [136,8]	1.88 [47,6]	(1.68) [42,8]	(3.25) [82,6]	(2.88) [73,2]	1.63 [41,3]	1.26 [31,9]	(2.43) [61,8]
4" X 1"	(7.13) [181,0]	(5.39) [136,8]	2.13 [54,0]	(2.19) [55,5]	(3.75) [95,3]	(3.38) [85,9]	1.63 [41,3]	1.26 [31,9]	(2.94) [74,6]
1-1/2" X 1-1/2"	(7.25) [184,2]	(6.51) [165,4]	1.63 [41,3]	(0.93) [23,5]	(2.50) [63,5]	(2.13) [54,1]	1.63 [41,3]	1.26 [31,9]	(1.85) [47,0]
2" X 1-1/2"	(7.75) [196,9]	(6.51) [165,4]	1.88 [47,6]	(1.20) [30,4]	(2.75) [69,9]	(2.38) [60,5]	1.63 [41,3]	1.26 [31,9]	(2.12) [53,9]
2-1/2" X 1-1/2"	(7.75) [196,9]	(6.51) [165,4]	1.88 [47,6]	(1.46) [37,1]	(3.00) [76,2]	(2.63) [66,8]	1.63 [41,3]	1.26 [31,9]	(2.39) [60,6]
3" X 1-1/2"	(7.75) [196,9]	(6.51) [165,4]	1.88 [47,6]	(1.72) [43,8]	(3.25) [82,6]	(2.88) [73,2]	1.63 [41,3]	1.26 [31,9]	(2.65) [67,3]
4" X 1-1/2"	(8.25) [209,6]	(6.51) [165,4]	2.13 [54,0]	(2.23) [56,5]	(3.75) [95,3]	(3.38) [85,9]	1.63 [41,3]	1.26 [31,9]	(3.15) [80,0]
2" X 2"	(8.75) [222,3]	(7.51) [190,8]	1.88 [47,6]	(1.19) [30,2]	(3.00) [76,2]	(2.38) [60,5]	1.88 [47,6]	1.26 [31,9]	(2.29) [58,1]
2-1/2" X 2"	(8.75) [222,3]	(7.51) [190,8]	1.88 [47,6]	(1.46) [37,0]	(3.25) [82,6]	(2.63) [66,8]	1.88 [47,6]	1.26 [31,9]	(2.56) [64,9]
3" X 2"	(8.75) [222,3]	(7.51) [190,8]	1.88 [47,6]	(1.72) [43,7]	(3.50) [88,9]	(2.88) [73,2]	1.88 [47,6]	1.26 [31,9]	(2.82) [71,7]
4" X 2"	(9.25) [235,0]	(7.51) [190,8]	2.13 [54,0]	(2.23) [56,6]	(4.00) [101,6]	(3.38) [85,9]	1.88 [47,6]	1.26 [31,9]	(3.33) [84,5]
2-1/2" X 2-1/2"	(11.13) [282,7]	(9.89) [251,2]	1.88 [47,6]	(1.64) [41,6]	(3.25) [82,6]	(2.63) [66,8]	1.88 [47,6]	1.26 [31,9]	(3.48) [88,5]
3" X 2-1/2"	(11.13) [282,7]	(9.89) [251,2]	1.88 [47,6]	(1.91) [48,5]	(3.50) [88,9]	(2.88) [73,2]	1.88 [47,6]	1.26 [31,9]	(3.76) [95,4]
4" X 2-1/2"	(11.63) [295,4]	(9.89) [251,2]	2.13 [54,0]	(2.43) [61,6]	(4.00) [101,6]	(3.38) [85,9]	1.88 [47,6]	1.26 [31,9]	(4.27) [108,5]
3" X 3"	(11.13) [282,7]	(9.89) [251,2]	1.88 [47,6]	(1.91) [48,5]	(3.50) [88,9]	(2.88) [73,2]	1.88 [47,6]	1.26 [31,9]	(3.78) [96,0]
4" X 3"	(11.63) [295,4]	(9.89) [251,2]	2.13 [54,0]	(2.42) [61,6]	(4.00) [101,6]	(3.38) [85,9]	1.88 [47,6]	1.26 [31,9]	(4.29) [109,0]

PURE-FLO ORDER: -
CUSTOMER: -
CUSTOMER PO: -
OTHER INFO: -

THIS DOCUMENT IS THE SOLE PROPERTY OF ITT CORPORATION, OR ITS SUBSIDIARY, AND IS PROVIDED SUBJECT TO RETURN. IT IS ISSUED IN STRICT CONFIDENCE AND SHALL NOT BE REPRODUCED, OR COPIED, OR DISCLOSED IN WHOLE OR IN PART, OR USED AS THE BASIS FOR THE MANUFACTURE OR SALES OF APPARATUS OR PARTS TO WHICH THE DOCUMENT RELATES, WITHOUT THE EXPRESS WRITTEN CONSENT OF ITT CORPORATION, OR ITS SUBSIDIARY. THIS LEGEND SHALL BE MARKED ON ANY REPRODUCTION HEREOF, IN WHOLE OR IN PART. ALL RIGHTS TO THE INFORMATION AND DESIGN DISCLOSED HEREIN ARE RESERVED TO ITT CORPORATION, OR ITS SUBSIDIARY.



UNLESS OTHERWISE NOTED	
INCH	MM
∅	∅
XX	XX
XXX	XXX
X ^o	X ^o

DATE	BY
10/18/18	JLN
10/18/18	MMA
10/18/18	MMA

ZERO STATIC BACK-OUTLET TEE ASSY.
APVD: 10/18/18 MMA
MASTER DWG: A30289/A

		Pure-Flo www.ittpureflo.com	
D	A30289	SHEET 1 OF 1	REV A
ISSUE BY: -		CERT BY: -	